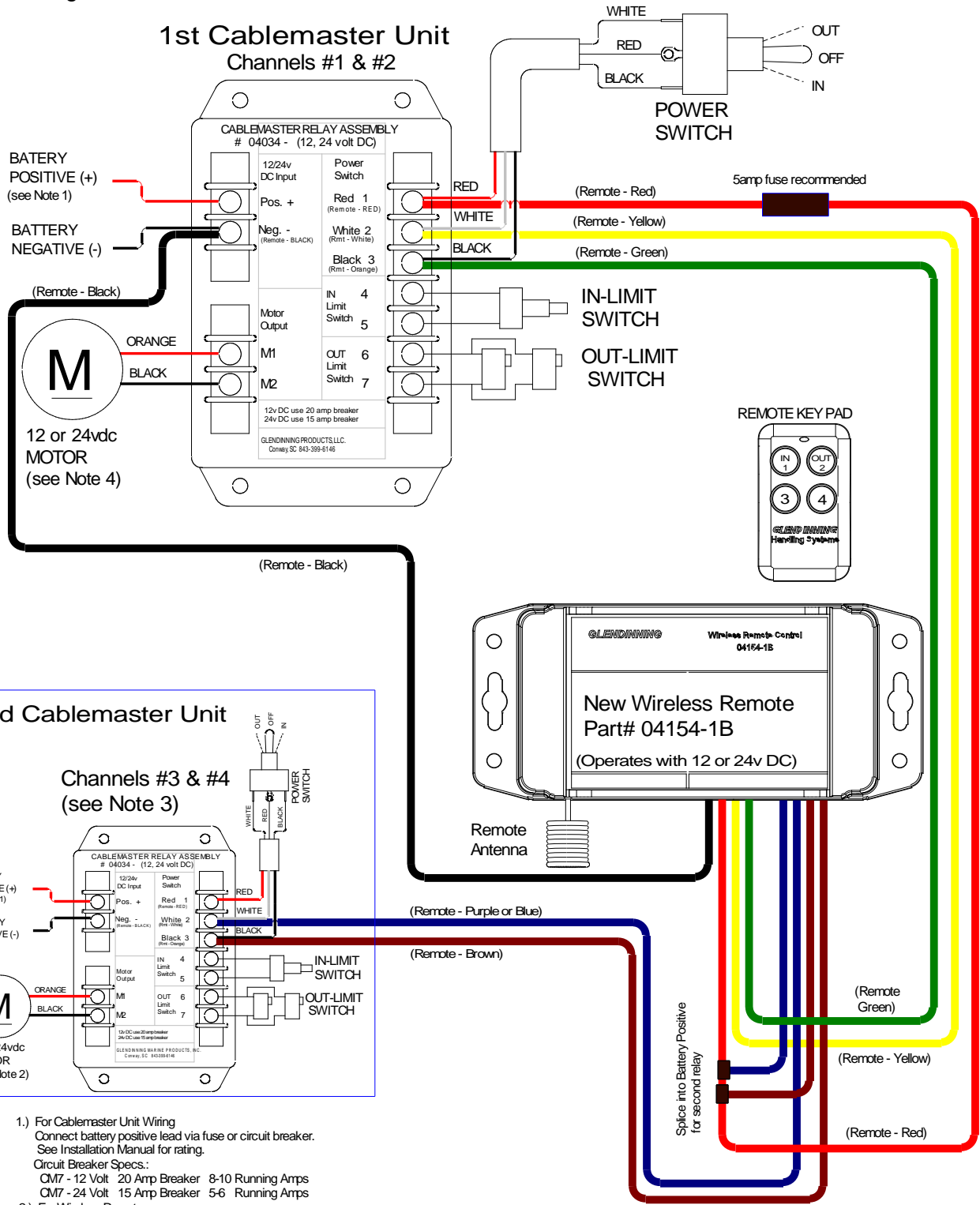


Glendinning Wireless Remote Control - Wiring Diagram

Part# 04154-1B - 4 channel - 12/24v DC capable diagram - 01/24

CABLEMASTER REMOTE CONTROL WIRING DIAGRAM
 - using New Wireless remote 04154-1B



- Note:
- For Cablemaster Unit Wiring
 Connect battery positive lead via fuse or circuit breaker. See Installation Manual for rating.
 Circuit Breaker Specs.:
 CM7 - 12 Volt 20 Amp Breaker 8-10 Running Amps
 CM7 - 24 Volt 15 Amp Breaker 5-6 Running Amps
 - For Wireless Remote
 Use DC power at Relay #1 and use 5amp Inline Fuse (purchased seperately)
 - For second CM Relay installation
 - splice one Purple or Blue and Brown wire into Battery Positive (+)
 - connect other Purple or Blue wire to #2 on Relay Assembly
 - connect other Brown wire to #3 on Relay Assembly

4.) For low profile Cablemaster installation, the motor leads must be reversed for correct limit switch operation. See manual for more information.

Glendinning Wireless Remote Control - Wiring Diagram

Part# 04154-1B - 4 channel - 12/24v DC capable diagram - 01/24

Wireless Remote System - Part #04154-1B

- connection to CRM/CRMA Cordreel shown below (CRM/CRMA unit already has relay installed)
- connection to CRR50/CRRA50 - need to install option relay assembly (#19851-12-10) and then install remote as shown below
- connection to HM Hosemaster Reel - need to install option relay assembly (#19851-12-10) and then install remote as shown below

