



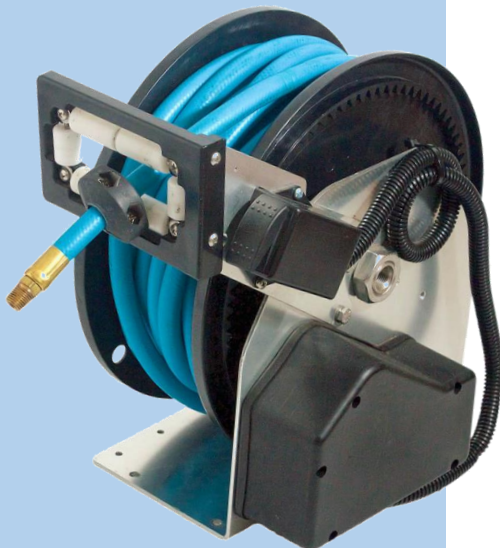
Hosemaster™

Extend . . .

Retract . . .

Relax

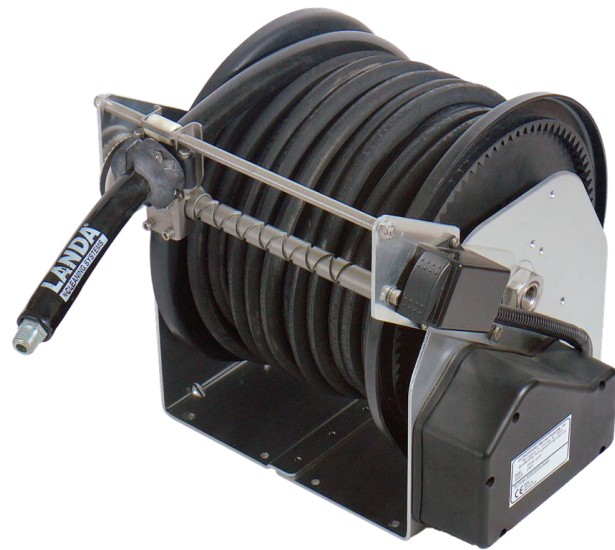
- **EASY TO USE** — Simply pull out the amount of hose you need to make your connection. When you are ready to store the hose, just push the button and the Hosemaster™ electric retraction motor will quickly retract and store the water hose on the reel.
- **ELECTRIC MOTOR RETRACTION** — The electric motor retraction ends the “tug of war” with spring loaded hose reels.
- **MULTI-USE** — Suited for air, water or pressure washer Applications
- **INTEGRATED GUIDE ROLLER** — The guide roller helps guide the hose as it is retracted on the reel, as well as providing a positive stop when the hose is fully retracted.
- **COMMERCIAL GRADE ROTARY JOINT** — The rotary joint utilizes stainless steel fittings and a dual O-ring seal to provide a very dependable seal.



Model M

Suitable for any application such as:

- Compressed Air
- Potable Water
- Pressure Hose

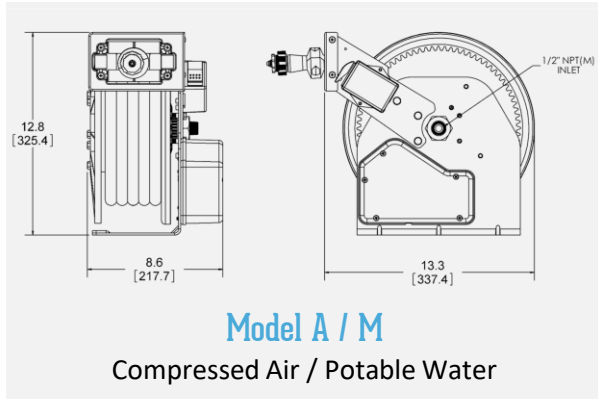


Model LW

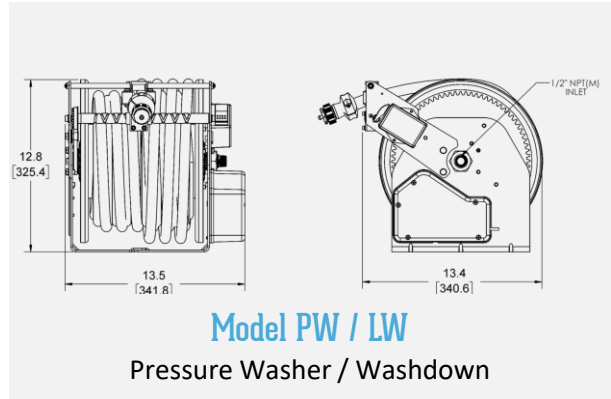
Suitable for any application such as:

- Compressed Air
- Potable Water
- Pressure Hose

Hosemaster Specifications



Model A / M
Compressed Air / Potable Water



Model PW / LW
Pressure Washer / Washdown

Hosemaster Model	Part Number	Hose Dia (ID)	Hose Length (Max)
Model A – Air Hose	05512-XX-50	0.375 inch	50 feet
Model PW – Pressure Washer	05533-XX-HP	No Hose Supplied	100 feet
Model M – Potable water	05505-XX-YY	0.5 or 0.625 inch	50 feet
Model LW – Washdown	05520-XX-YY	0.5 or 0.625 inch	100 feet

XX = voltage (specify 12 or 24)

YY = length in feet

HOSE LENGTH

Up to 100 feet

HOSE CONNECTION

½" NPT

VOLTAGE

12 or 24 VDC operating current while retracting

WEIGHT

Model M / A - 16 lbs. (with 35' hose)

Model PW – 17 lbs. (no hose)

Model LW – 27 lbs. (100' of ½" hose)

FEATURE	BENEFIT
Electric Retraction	Electric rewind reduces operator effort in hose extension and retraction. High capacity spring loaded reels can be dangerous during uncontrolled retraction, if the hose is not held tightly. Electric reels have a more controllable retraction rate.
Low current DC motor	DC retraction motor operates at 3-4 amps operating current – suitable for trailer mounting
“Zero effort” retraction motor	The patented electric retraction motor disengages from the hose reel during cable extension, so there is “zero effort” to pull out the hose during extension.
Level wind (Model LW / PW only)	The “level wind” mechanism evenly distributes the hose on the reel during retraction, eliminating any effort to guide the hose on the reel.
Light weight construction	The hose reel is fabricated with an aluminum frame and ABS reel – keeping weight to a minimum.



740 Century Circle
Conway, SC 29526

Phone: [843] 399-6146
Fax: [843] 399-5005

www.glendinningprods.com

