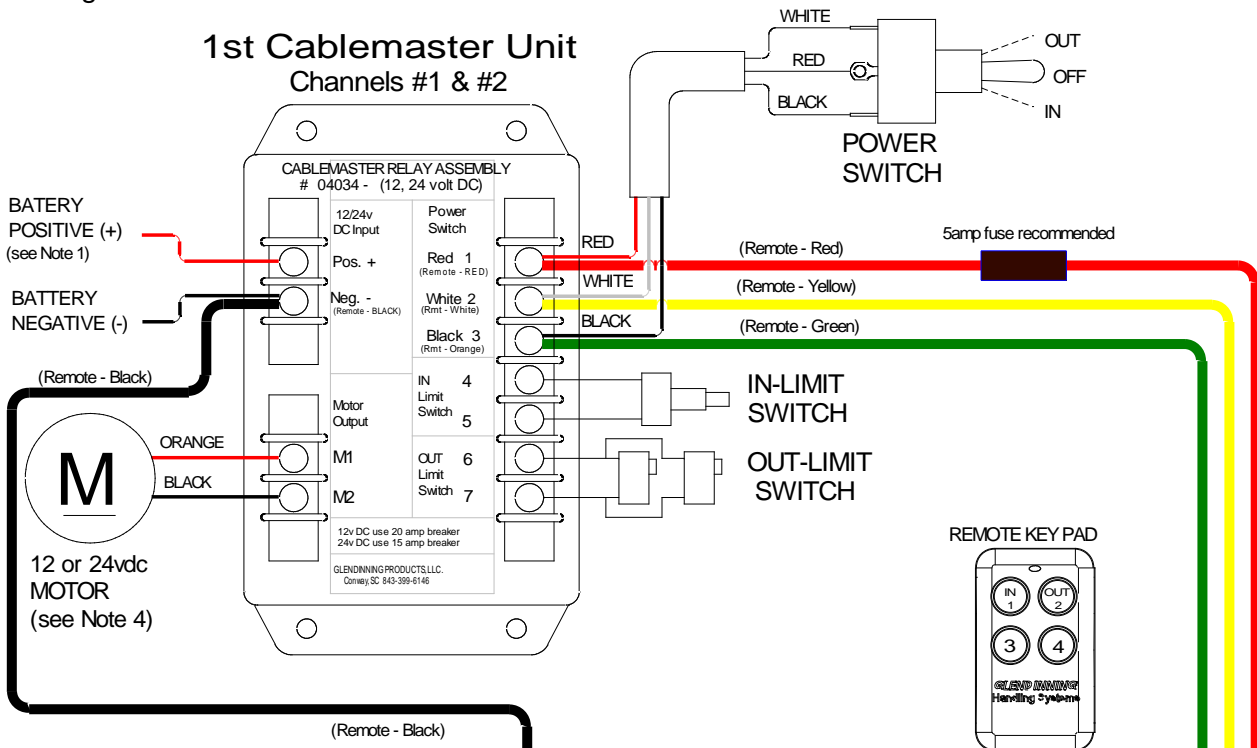


# Glendinning Wireless Remote Control - Wiring Diagram

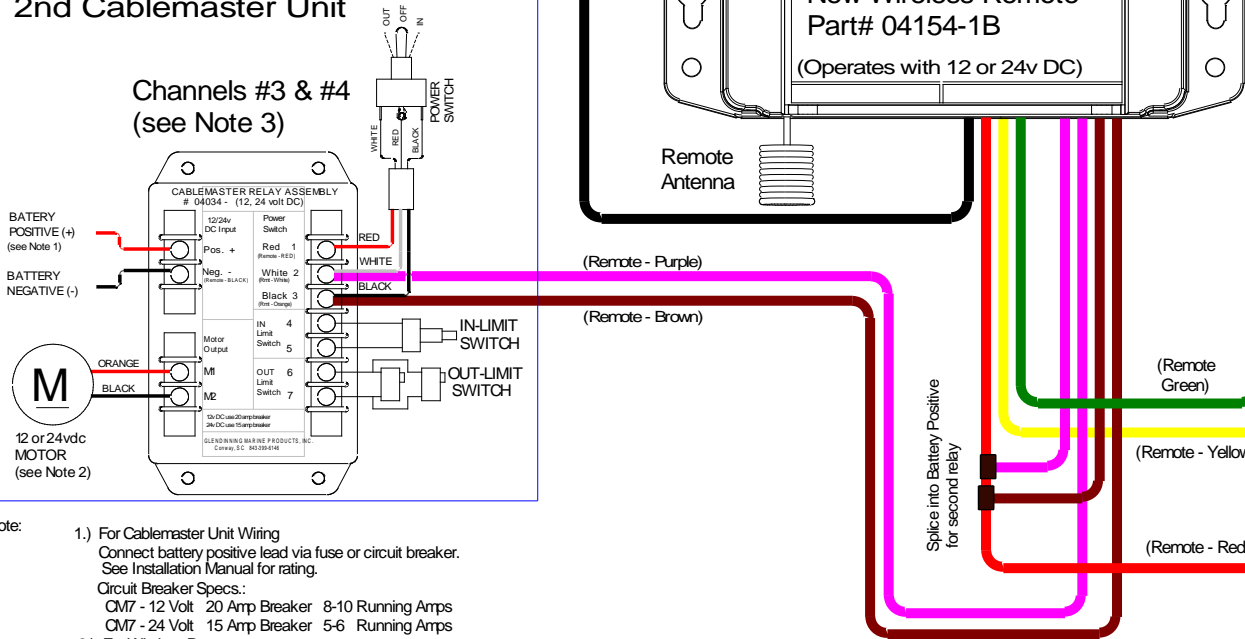
## Part# 04154-1B - 4 channel - 12/24v DC capable diagram - 07/22

CABLEMASTER REMOTE CONTROL WIRING DIAGRAM  
 - using New Wireless remote 04154-1B

### 1st Cablemaster Unit Channels #1 & #2



### 2nd Cablemaster Unit Channels #3 & #4 (see Note 3)



Note:

- For Cablemaster Unit Wiring  
 Connect battery positive lead via fuse or circuit breaker.  
 See Installation Manual for rating.  
 Circuit Breaker Specs:  
 CM7 - 12 Volt 20 Amp Breaker 8-10 Running Amps  
 CM7 - 24 Volt 15 Amp Breaker 5-6 Running Amps
- For Wireless Remote  
 Use DC power at Relay #1 and  
 use 5amp Inline Fuse (purchased separately)
- For second CM Relay installation  
 - splice one Purple and Brown wire into Battery Positive (+)  
 - connect other Purple wire to #2 on Relay Assembly  
 - connect other Brown wire to #3 on Relay Assembly
- For low profile Cablemaster installation, the motor leads  
 must be reversed for correct limit switch operation.  
 See manual for more information.

**Glendinning Wireless Remote Control - Wiring Diagram**  
**Part# 04154-1B - 4 channel - 12/24v DC capable diagram - 07/22**

**Wireless Remote System - Part #04154-1B**

- connection to CRM/CRMA Cordreel shown below (CRM/CRMA unit already has relay installed)
- connection to CRR50/CRRA50 - need to install option relay assembly (#19851-12-10) and then install remote as shown below
- connection to HM Hosemaster Reel - need to install option relay assembly (#19851-12-10) and then install remote as shown below

