

Glendinning Wireless Remote Control - Wiring Diagram

Part# 04154-1B - 4 channel N.O. contacts - 12/24v DC capable diagram.

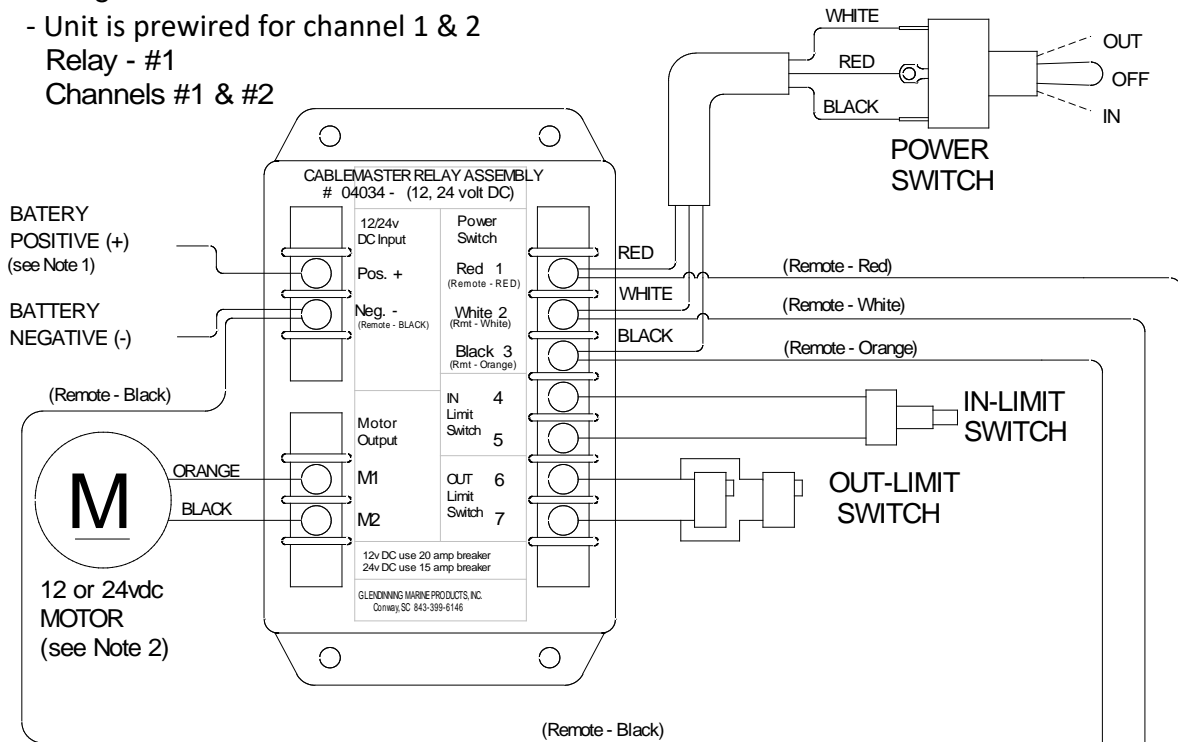
CABLEMASTER REMOTE CONTROL WIRING DIAGRAM

- using New Wireless remote 04154-1B

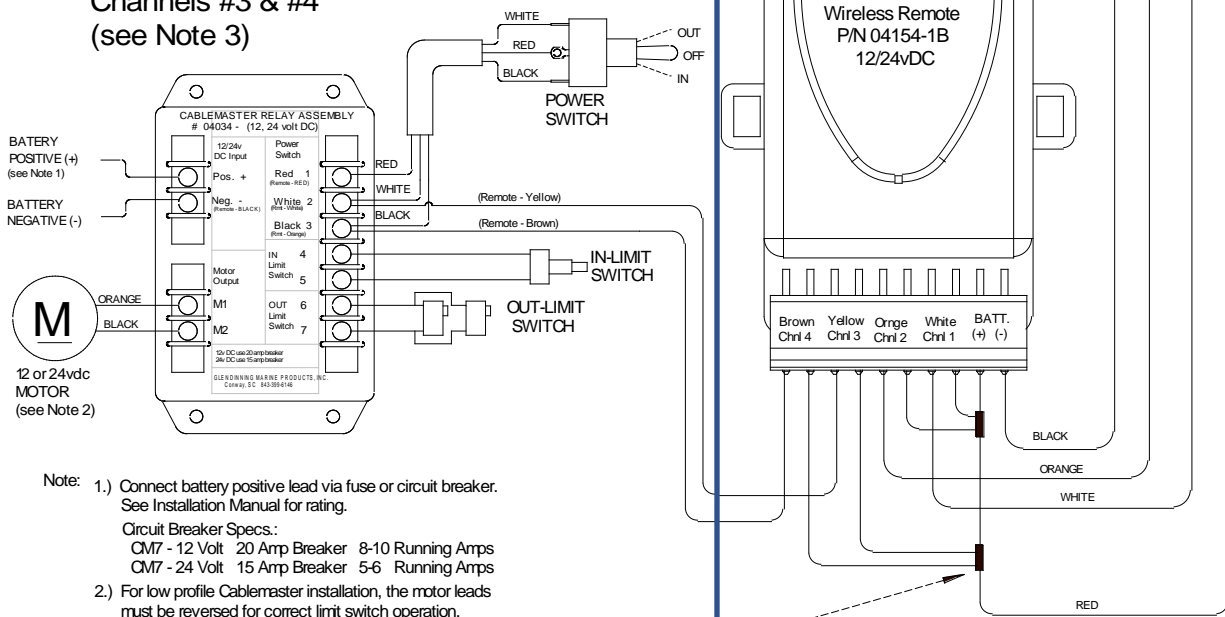
- Unit is prewired for channel 1 & 2

Relay - #1

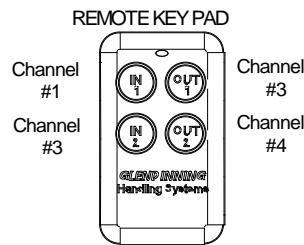
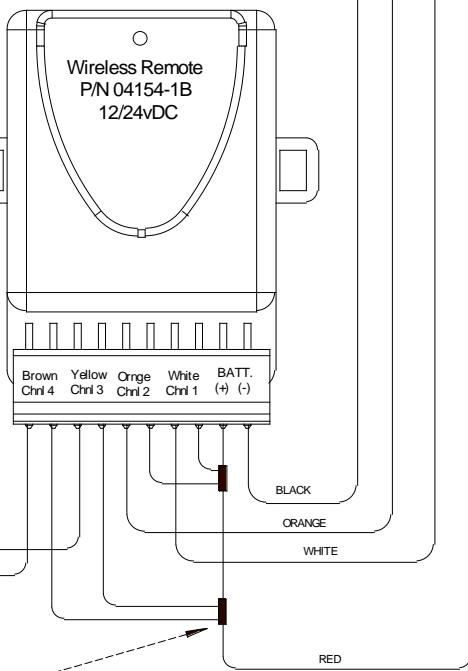
Channels #1 & #2



Relay #2 - only used for 2nd Cablemaster Channels #3 & #4 (see Note 3)



- Note:
- 1.) Connect battery positive lead via fuse or circuit breaker. See Installation Manual for rating.
Circuit Breaker Specs:
CM7 - 12 Volt 20 Amp Breaker 8-10 Running Amps
CM7 - 24 Volt 15 Amp Breaker 5-6 Running Amps
 - 2.) For low profile Cablemaster installation, the motor leads must be reversed for correct limit switch operation. See manual for more information.
 - 3.) For second CM Relay installation - connect one yellow wire and one brown wire to Battery Positive. Then connect the other yellow and brown wire to 2nd Relay Assembly as shown.



Glendinning Wireless Remote Control - Wiring Diagram

Part# 04154-1B - 4 channel N.O. contacts - 12/24v DC capable diagram.

Wireless Remote System - Part #04154-1B

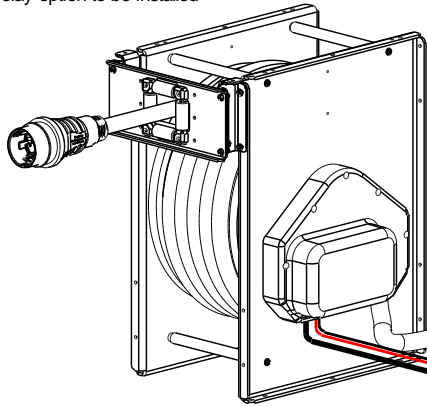
- connected to CRMA Cordreel or Hosemaster Reel (with option relay assembly)

CRMAxx Cordreel

- already has internal relay assembly

CRRxx Cordreel

- requires relay option to be installed

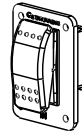
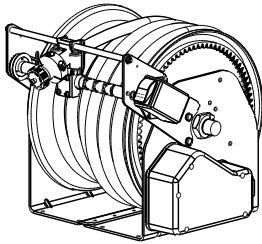


AC Power Connections

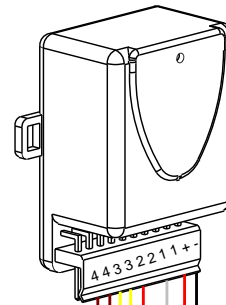
DC Power Input
12 or 24v DC (see label)
RED - DC Positive (+)
BLACK - DC Negative (-)
-use 20amp Fuse/breaker

HM Hosemaster Unit

- requires relay option to be installed



Splice WHITE wire from remote into BLACK wire from Cordreel/Hosemaster.



White IN #1 Channel

DC Power Input
RED - DC Positive (+)
BLACK - DC Negative (-)
- use 5amp Fuse/breaker