



CABLEMASTER

CRR 50



MANUAL OUT,
POWER RETRACTION
FOR YOUR POWER CABLE

Extend...

Retract...

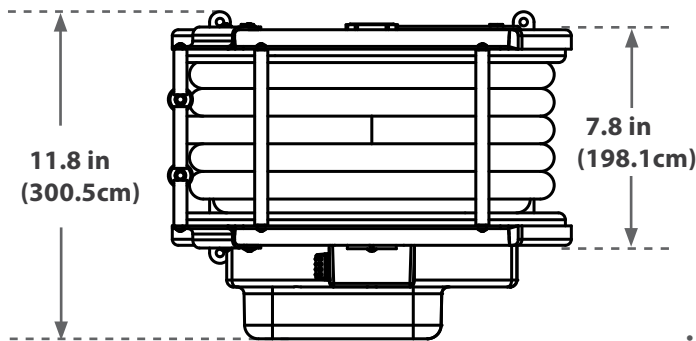
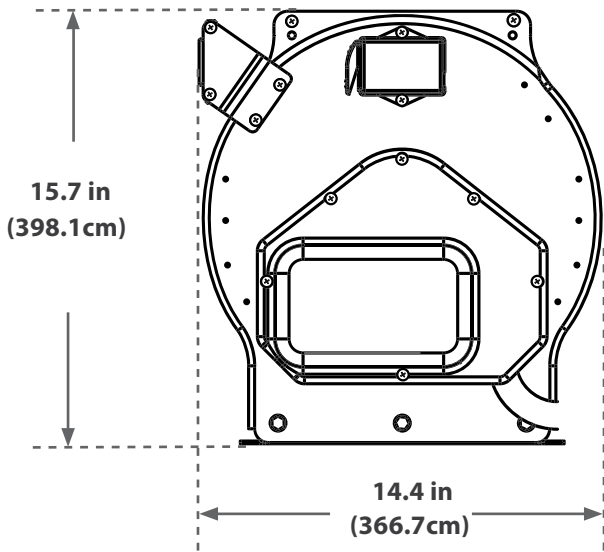
Relax

Features

- **EASY TO USE** — Simply pull out the amount of power cord you need to make your connection. Push the button and the Cablemaster™ will quietly retract and store the power cord on the reel.
- **“ZERO EFFORT” PULL-OUT FORCE** — Our unique drive motor mechanism (patent pending) disengages itself when the cable is extended. No heavy pulling!
- **COMPACT STORAGE** — Store 36-feet of 50 amp power cord in the smallest possible area.
- **“EASY-OUT” PLUG** — Our molded power plug comes with an integrated handle which allows you to easily disconnect the power cord from the campsite receptacle.
- **LED POWER INDICATOR** — Conveniently located on plug, lets you know that power is available to the cord.
- **ROBUST DESIGN** — The Cablemaster™ product line is specifically designed to last!
- **FULLY TESTED AND APPROVED** — UL, CSA

Specs

- Voltage: - - - - - 12V DC
- Operating Current: - - - - - 5 – 7 amps nominal, 15amp peak load
- Cable Size: - - - - - 50 amp
- Cable Specification: - - - - - 6/3 & 8/1 SOW 90°C rating includes molded plug with LED power indicator and safety disconnected handle
- Cable Length: - - - - - 36 ft.
- Weight: - - - - - 48 lbs. (including 36 ft. of 6/4 power cable)
- Certifications: - - - - - tested to comply with UL standard 355 tested for ignition protection



Ordering Information

Part No.	Description	Cord Length
04380-xx	Cablemaster – Model CRR-50 including control switch (3 foot wire length)	36 feet

Operation Instructions

To extend the power cord:

- Pull out sufficient cord length that will allow you to route shore power cord to the electrical distribution box and plug the molded end into the receptacle.

To retract the power cord:

- Detach plug from receptacle using lever on plug.
- Press and hold the button and the power cord will automatically retract
(CAUTION) — it is advisable to monitor the progress of the power cord as it retracts and stores onto the reel).

Optional Features / Accessories

- High temperature shut off sensor — responds automatically when temperatures fall outside the safe operation temperatures of the unit.
- Pre-wired power cord for connection between cord reel and AC distribution panel — this option provides a length of power cord that is pre-terminated to the cord reel, which can then be used for connecting to the A/C power transfer switch.

Maintenance

- Experience has shown that when only a short section of power cable is regularly used, the cable may be subject to “kinking”. To relieve this condition, routinely extend the power cable completely and stretch it on any smooth surface. Allow the Cablemaster to retract the cable onto the reel. At least once a year, inspect all AC and DC wiring connections and make sure they are free of corrosion and connections tight.
- Periodically inspect the exterior jacket of the power cable for nicks or cuts. If your power cable is dirty any cleaner should be compatible with the outer jacket material of the power cable. If needing to replace power cordset use only 90°C minimum rated cordsets and ensure that the outside diameter of the new cordset does not exceed that of the factory supplied cordset. Maximum cordset length is 36’[11.0M].



740 Century Circle
Conway, SC 29526



Phone: (843) 399-6146
Fax: (843) 399-5005

www.glendinningprods.com