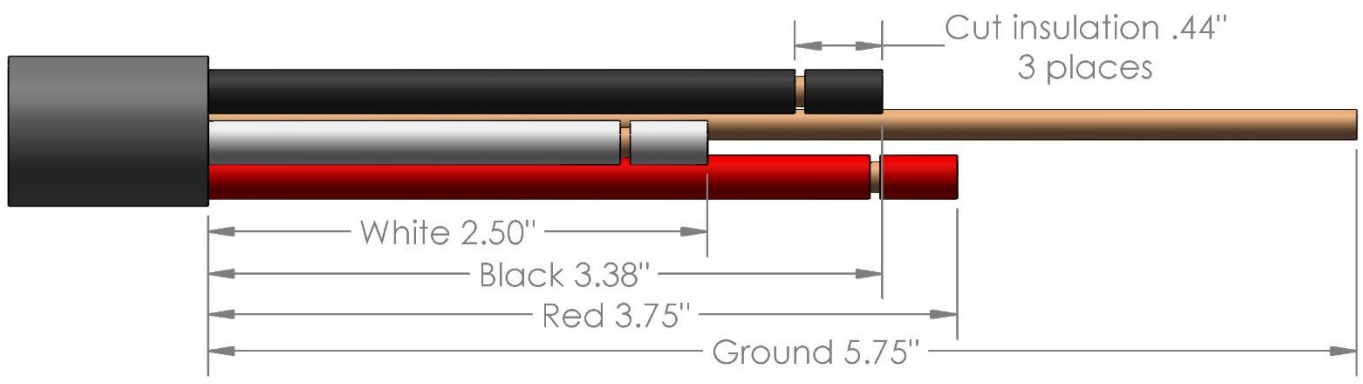


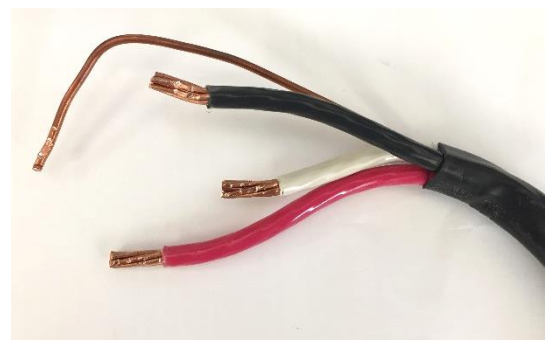
### CRR50LP AC Wiring Cut Dimensions v3.0

**1** Cut wire to length and cut insulation



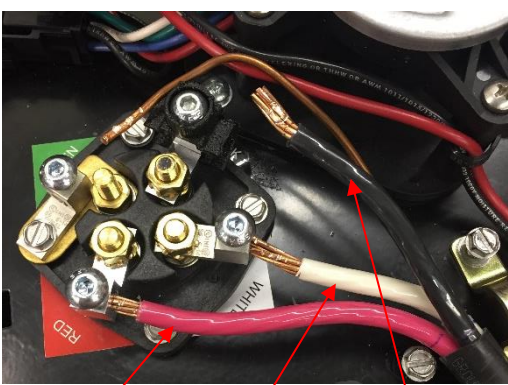
**2**

Bend wires as shown below. Then remove insulation slug from Black, White and Red wires.



**3**

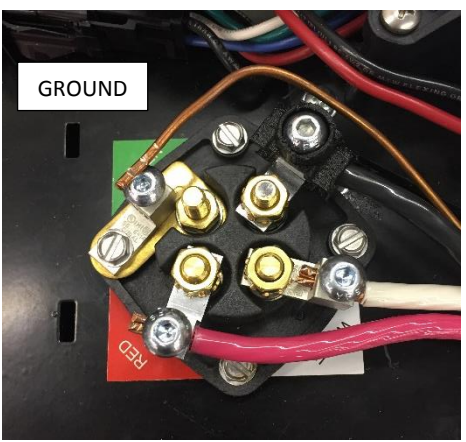
Install Red, then White, then Black wire into wire lugs. Tighten allen head screw to 30 in.lbs.



RED WHITE BLACK

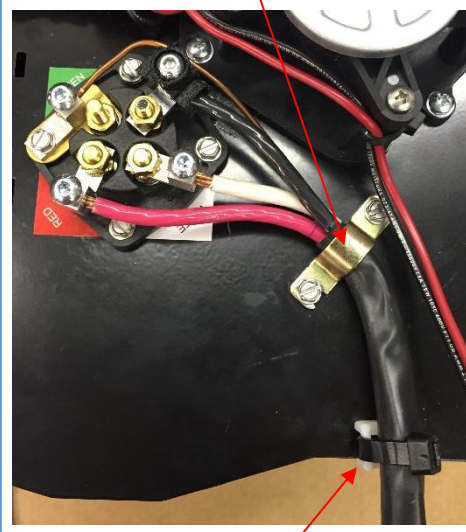
**4**

Install Ground into wire lug. Tighten allen head screws to 30 in.lbs.



**6**

Swing clamp over wire jacket and tighten screws to 30 in.lbs.



**7**

Close large Tie wrap onto AC wire.

**RECOMMENDED  
AC Wiring  
Instructions**

**(DO NOT  
DISCARD)**

**Follow these  
instructions for  
easy assembly of  
AC harness and  
cover.**