



GLENDINNING
MARINE PRODUCTS, INC.

TV CABLEMASTER

TV-Telephone Cable Storage System

Provides a much
neater and
organized
solution to
cable clutter!

One cable
handles all your
telecommunication
needs!

Automatically
extends and
retracts the cable!

Up to 3
separate phone
connectors in
one cable!



Extend . . . Retract . . . Relax!

Why Do You Need a TV-Cablemaster ?

1

“Because I’m tired of unwinding and coiling all those cables! I’ve got better things to do with my time!”

2

“It’s so easy — anyone can operate it!”

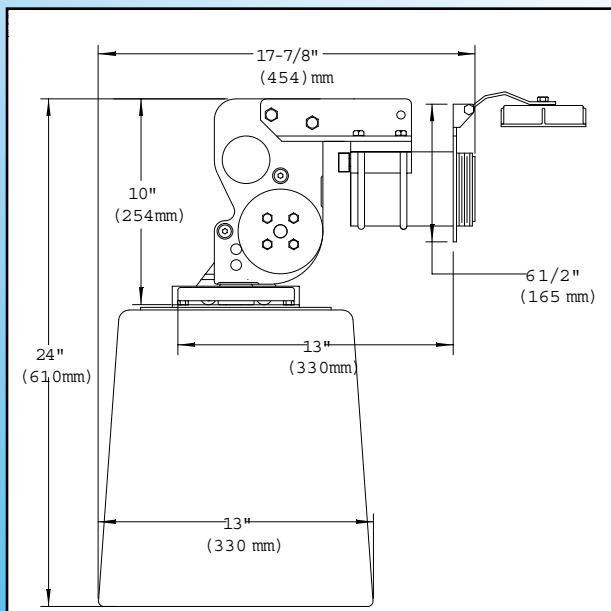
3

“This is great! I can hook up my TV, phone, computer and fax machine by using one cord!”

How many times have you connected your TV / telephone cable dockside only to wonder why you may only connect one phone line? Glendinning Marine Products knows that its possible you might have more than one telecommunication device aboard. When other marine cord companies have made it easier for you by providing both the TV and telephone cables bundled together—we’ve gone a whole lot further! Now you can add up to 3 separate telecommunication devices by using the *Glendinning TV/Telephone Cable*. That’s right! We’ve bundled anywhere from 1 to 3 telephone connector cords with one RG6 (braided core) TV cord to provide you with the convenience and flexibility that you deserve.

And now the same convenience of automatic extension and retraction of the cable that boat owners have enjoyed with the *Glendinning Cablemaster* is also available with the **TV-Cablemaster**! Just flip a switch and the cable is extended or retracted without the operator having to coil and store the cable. The TV-Cablemaster also clears the deck and dock of cable clutter by using only the amount of cable necessary for the job. Less than 24 inches high and 14 inches in diameter, the **TV-Cablemaster** is designed to fit in tight spaces.

Facts and Figures:




TV-Cablemaster comes complete with:

- Power Unit (motor, gearing, main pulley, tension rollers)
- Chromed Hawse Pipe Assembly
- Out and In-Limit switches
- 3-position power switch
- 50 feet of TV/telephone cable
- Storage Container
- Nameplate
- One year limited warranty

Specifications:

- Voltage — 12v DC
- Amperage — 4-5 amps under load
- Power Unit Dimensions — 5.5" L x 6" W x 10" H
- Storage Container Dimensions — 13" diameter x 12" H
- Weight — 29 lbs.

Other Options Available: Horizontal / Vertical Extension Assemblies, Radio Remote Control

Made in the USA 

For more information on installation, accessories or other engineering assistance, contact our sales engineer or your dealer today!



GLENDINNING
MARINE PRODUCTS, INC.
www.glendinningprods.com

740 Century Circle
Conway, SC 29526
Phone: (843) 399-6146
Fax: (843) 399-5005