



GLENDINNING

RV CABLEMASTER

RV Power Cable Storage System

Stop handling
that dirty, bulky
and heavy
50 amp
power cable!

Eliminates the
backache of
coiling and
storing the
power cable!

Adaptable
to most
RV models!

Used by
many of the
major RV
manufacturers!



Extend . . . Retract . . . Relax!

Relax and Unwind

That's what you had in mind when you first bought your RV. No one told you of the work and effort it would take to lug that 50 amp (or even 30 amp) cable to hook-up for service at the RV park. How many times have you wished that there was a better way?

Well, now there is! The *Glendinning RV-Cablemaster* takes all the effort out of unwinding (and rewinding) your power cable. Simply flip a switch and your cable is automatically payed out to the desired length—all you have to do is plug it in. Likewise, when it's time to get underway just disconnect your service, flip the switch and your power cable is retracted and stored automatically.

Solidly built, the *RV-Cablemaster* works with your existing storage space and can be easily configured to fit in tight spaces. Let the *RV-Cablemaster* take the work...out of unwinding!

Two Models to Choose From:



RVCM-7 Model

- Motor automatically stops cable at end of travel
- Easily upgrade-able for optional radio remote control accessory

RV(LC) Model

- Operator manually stops cable at each end of travel with spring loaded switch
- Redesigned with the value conscious customer in mind



Available in Several Configurations:

Basic Power Unit Only (As pictured above)

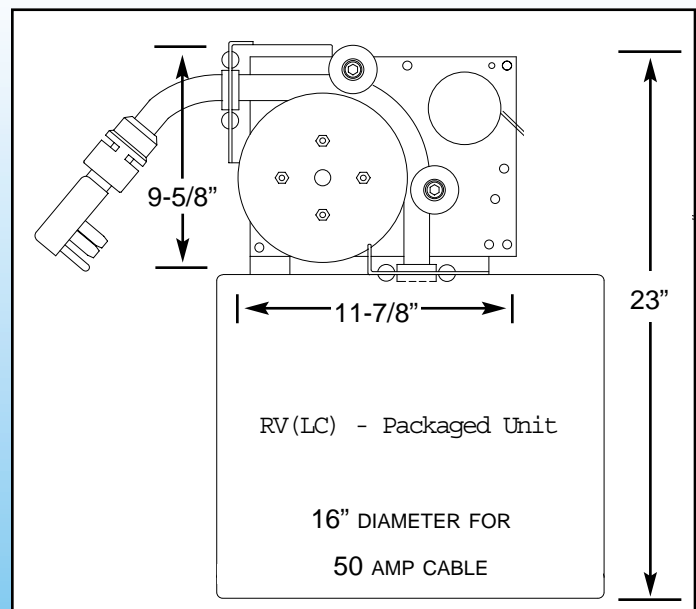
- Use existing power cable already provided w/coach
- Use existing storage bay—mount unit in top of compartment and cable will coil below it
- Approximately 24" total height required for installation

Basic Power Unit w/Cable

- Replace your existing Type ST "hard black" power cord with a very flexible Type SOW power cable assembly
- Want a longer cable?—Longer cord lengths available on request

Packaged Unit (As shown on front)

- Power unit is mounted on integral storage container
- 36 feet of RV-Power Cable is included



Other Options Available: Horizontal / Vertical Extension Assemblies, Radio Remote Control

For more information on installation, accessories or other engineering assistance, contact our sales engineer or your dealer today!



GLENDINNING
www.glendinningprods.com

740 Century Circle
Conway, SC 29526
Phone: (843) 399-6146
Fax: (843) 399-5005