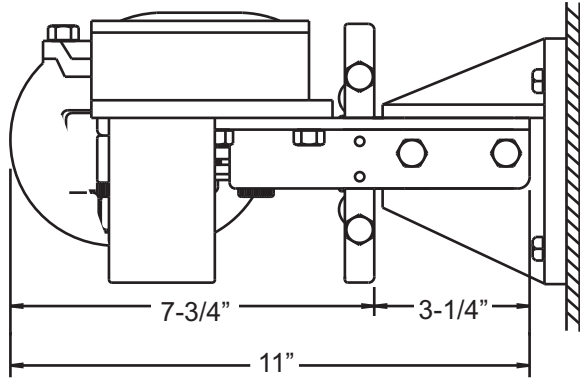
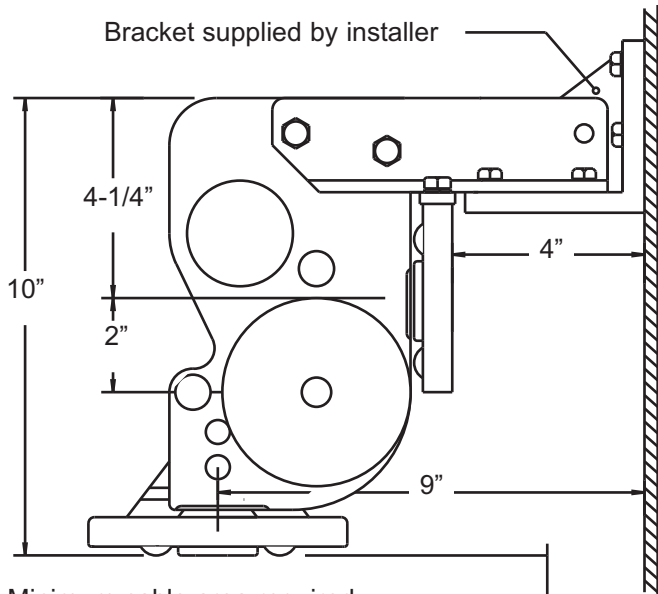


CM-4 RV-CABLEMASTER DIMENSIONS

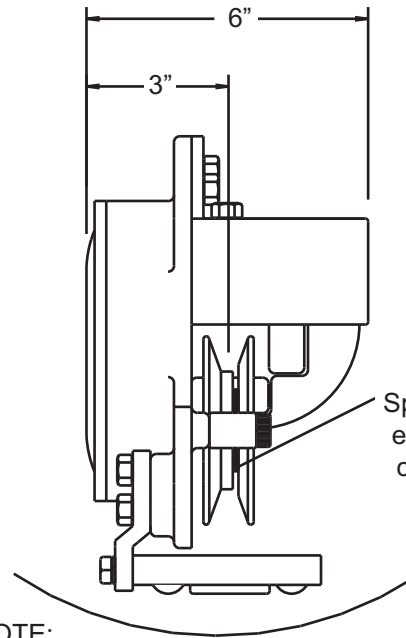
| SPECIFICATIONS: | |
|------------------|---|
| Voltage: | 12 VDC |
| Amperage: | 4-5 amps |
| Weight: | 9 lbs. |
| Capacity: | adj. from 5/8" to 3/4" dia. cable - 30 amp 110v cable |
| Length of cable: | determined by avail- able storage space |



Bracket supplied by installer



Minimum cable area required:
Height — 15" for 40' of 30amp 110v cable
Diameter — 14" minimum diameter



NOTE:
Spacers provid-
ed for variable
cable diamter
adjustment

NOTE:
May swing
up to 45
degrees



740 Century Circle
Conway, SC 29526
P: 843-399-6146
F: 843-399-5005
www.glendinningprods.com
RVCM4 DIM-02/01

CM-4 RV-CABLEMASTER

PN 05011 CM-4, 12V DC (FOR 30 AMP CABLE)

The RV-Cablemaster comes complete with:

- Power Unit (motor, gearing, main pulley, tension rollers)
- Out-limit switch assembly
- In-limit switch assembly
- Power switch (3 pos. out-off-in)
- Nameplate
- 1 year limited warranty

Common installation accessories:

- Power cable
- Cable container
- 10amp breaker
- Access door
- Extra bracketing to attach Power Unit to vehicle

SPECIFICATIONS:

| | |
|------------------|---|
| Voltage: | 12 VDC |
| Amperage: | 4-5 amps under load |
| Weight: | 9 lbs. |
| Dimensions: | 5-1/2" L x 6" W x 10" H (Power Unit) |
| Capacity: | adj. from 5/8" to 3/4" dia. cable - 30 amp 110v cable |
| Length of cable: | determined by avail- able storage space |

