



GLENDINNING

HoseMaster



Holds up to
50 feet of 1/2"
water hose

Easy manual
pullout
means no
“tug-of-war”
as with
spring loaded
reels

Powered
retrieval of
water hose—
just push
the button &
the hose is
quickly
retracted

Small size
fits most
standard
storage bays

Innovations through Automation

Storing your Water Hose has Never been Easier

Glendinning first introduced a better way to retrieve and store your RV power cable with the *RV-Cablemaster*. Now, we introduce *HoseMaster*—water hose reel and storage system. Why put up with that uncooperative hose when the *HoseMaster* system will help keep the kinks and mess associated with water hoses in check. What could be easier? When its time to depart, simply push the button and your water hose is automatically retrieved and stored!

features



benefits

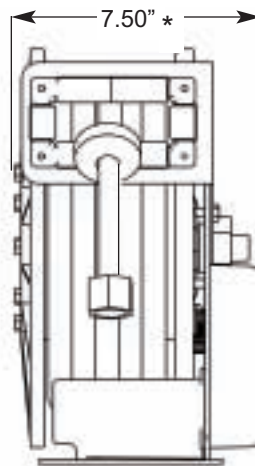
- Holds up to 50 feet of 1/2" hose
- No "tug-of-war" during manual cable extension like with spring loaded reels
- Powered retraction — just push the button
- Easy to install
- Adjustable hose guide
- Holds and stores more water hose!
- Stop fighting with your water hose system—Easier to use and operate!
- Keeps you from getting wet and messy!
- Fits easily in most RV storage bays!
- Hose guide can be rotated for greater flexibility in installation!



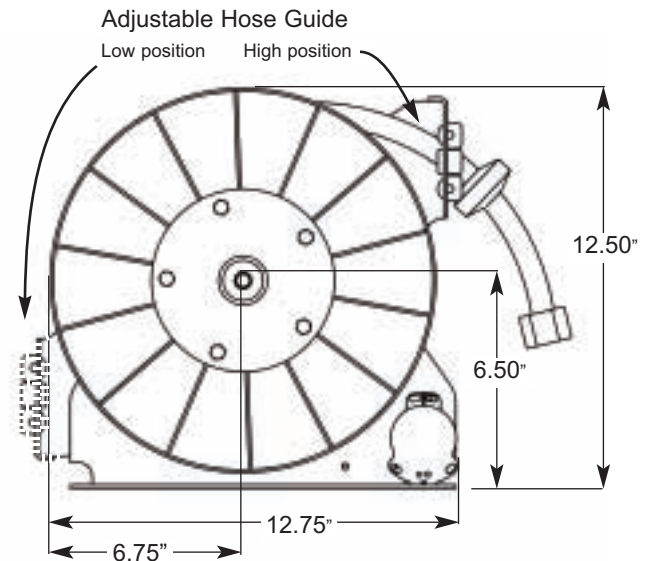
HoseMaster Dimensions

SPECIFICATIONS

- HOSE LENGTH — 35' (standard) or 50' (optional)
- VOLTAGE — 12 VDC
- CURRENT (RETRACTION) — 3 amps
- OVERLOAD CIRCUIT BREAKER — included
- WATER CONNECTION — 1/2" NPT
- HOSE TYPE — IAPMO approved (required for potable water applications)
- WEIGHT — 16 lbs. with 35' hose length
- Part No. — 05501 - 35' hose
— 05502 - 50' hose



(*NOTE: Add 1" to width dimension (8.5") for 50' hose)



For more information contact our sales engineer or your dealer today!



740 Century Circle
Conway, SC 29526
Phone: (843) 399-6146
Fax: (843) 399-5005
www.glendinningprods.com