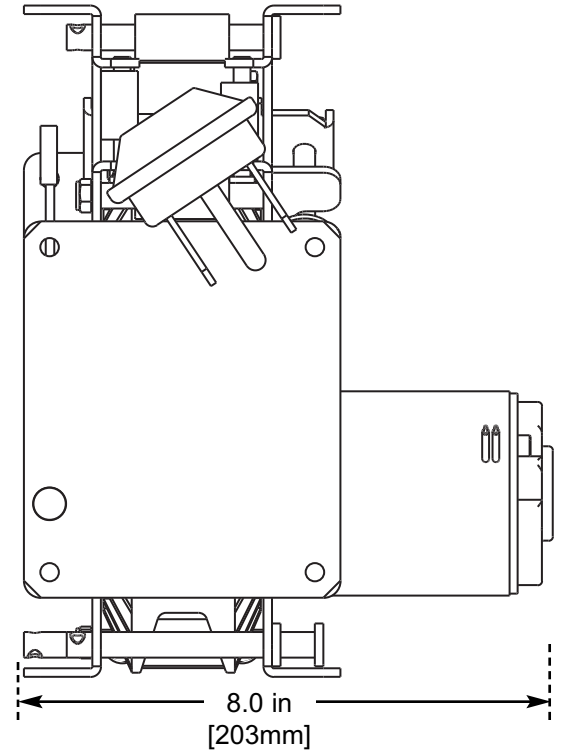
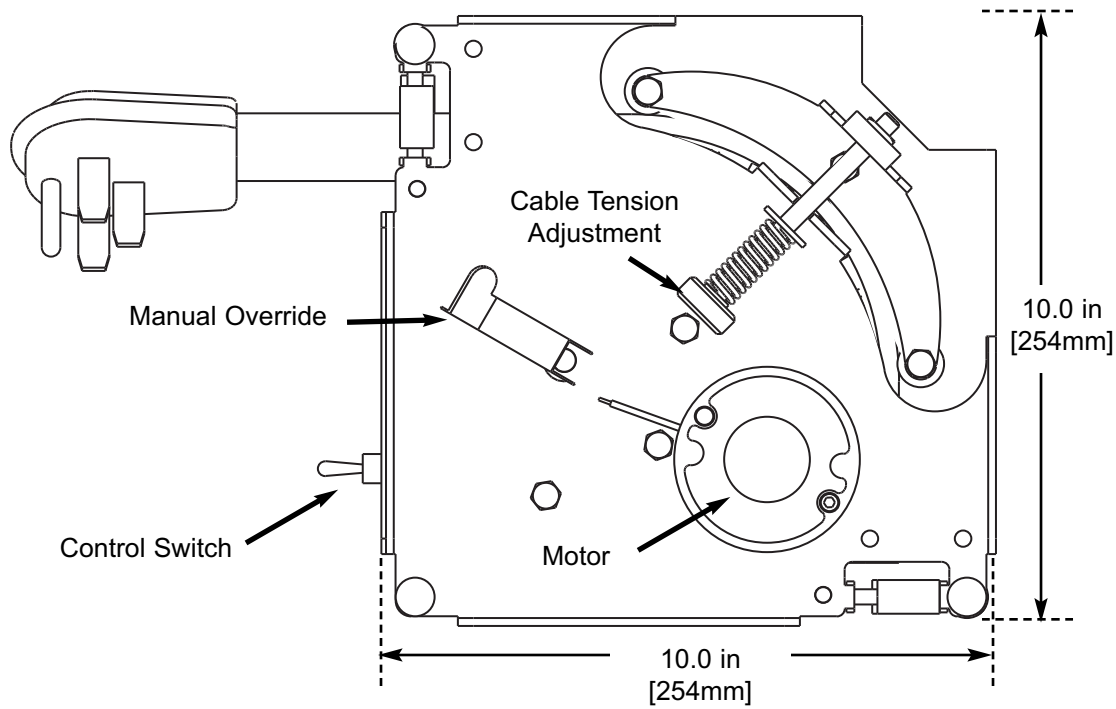
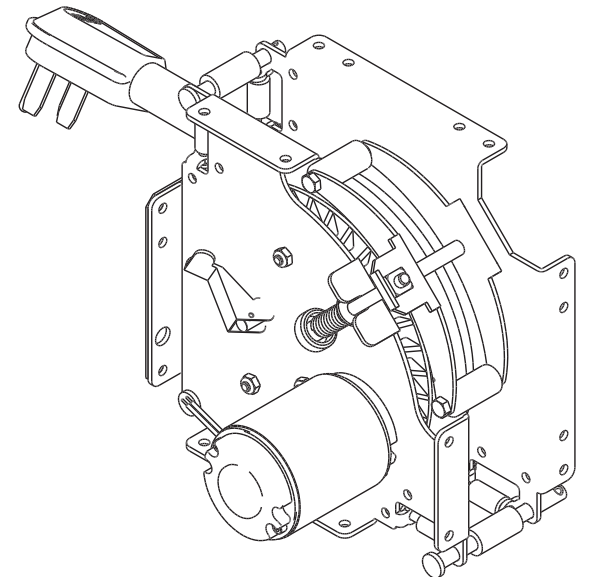
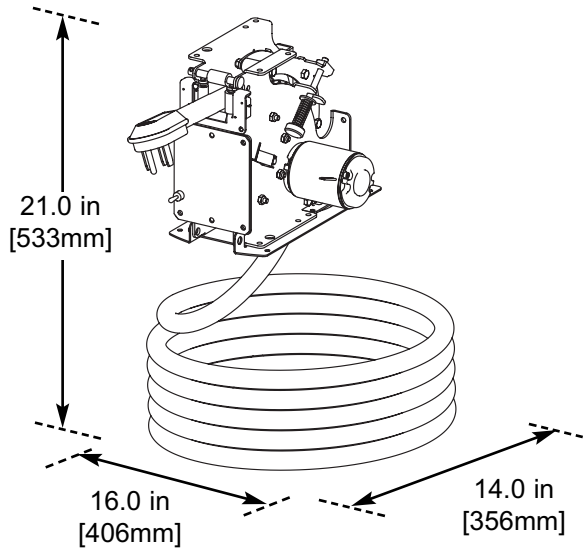


# CABLEMASTER DIMENSIONS



| SPECIFICATIONS:  |  |
|------------------|--|
| Voltage:         | 12 VDC                                   |
| Amperage:        | 7-9 amps                                 |
| Weight:          | 14 lbs.                                  |
| Cable size:      | 6/3 8/1 and 6/4<br>50amp 125/250 v AC    |
| Length of cable: | determined by available<br>storage space |
| Cable type:      | S, SE, SO, ST, STO, or<br>SOW            |



740 Century Circle  
Conway, SC 29526

P: 843-399-6146  
F: 843-399-5005

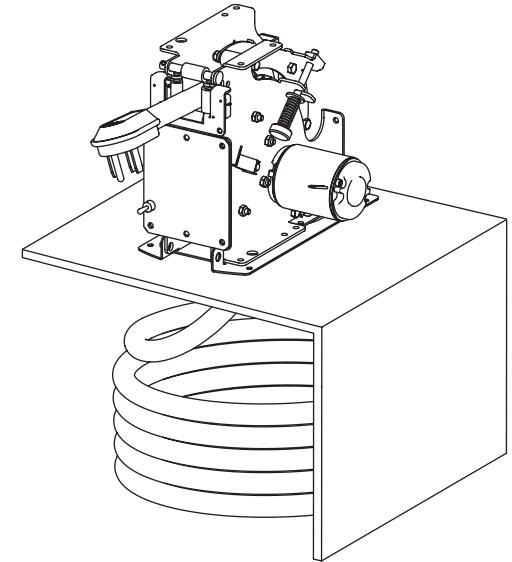
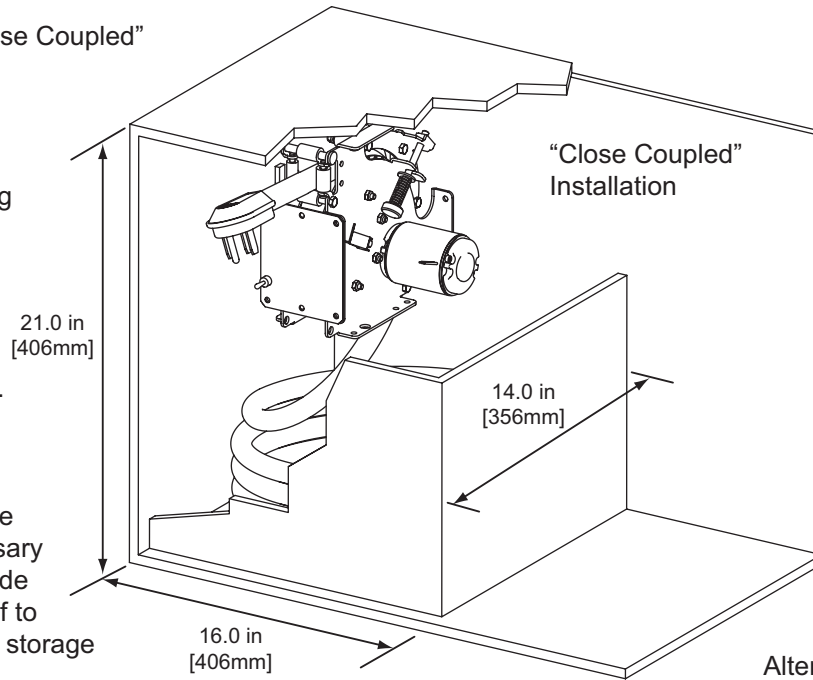
www.glendinningprods.com  
RLCD\_v2.0

Space requirement for installation of “Close Coupled” unit is: 16.0 W x 14.0 D x 21.0 H

For typical “close coupled” installation (shown), mount Cablemaster to roof of storage space using the integral mounting brackets. Power cord will “free fall” into the storage space directly underneath.

To aid in containment of the power cord, it is advisable to wall off the area where the power cord will be stored.

An alternative installation method would be to install the Cablemaster on a shelf using the integral mounting bracket on the bottom of the power unit. It will be necessary to purchase the optional undercoach guide roller assembly and cut a hole in the shelf to allow the power cord to “free fall” into the storage space.



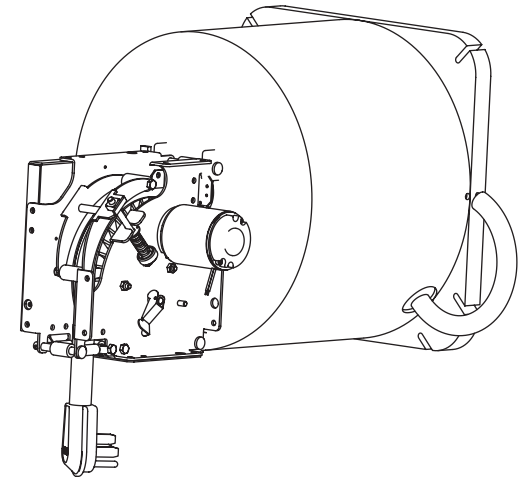
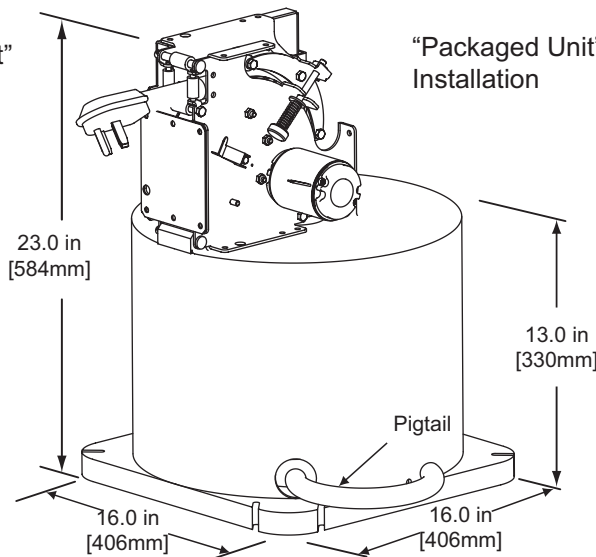
Alternative installation - mount Cablemaster to shelf in storage space (optional undercoach guide roller needed)

Space requirement for installation of the “Packaged Unit” (includes optional storage container) is: 16.0 W x 16.0 D x 23.0 H

The “Packaged Unit” is typically installed with the Cablemaster in the upright vertical position (shown).

The “Packaged Unit” may also be mounted in a horizontal configuration by turning the unit on it’s side and mounting it to the side or back wall of the storage space.

Optional mounting brackets will be necessary if mounting the unit in the horizontal configuration.



Alternative installation - turn Cablemaster on side and mount horizontally to side or back wall (optional mounting brackets needed)