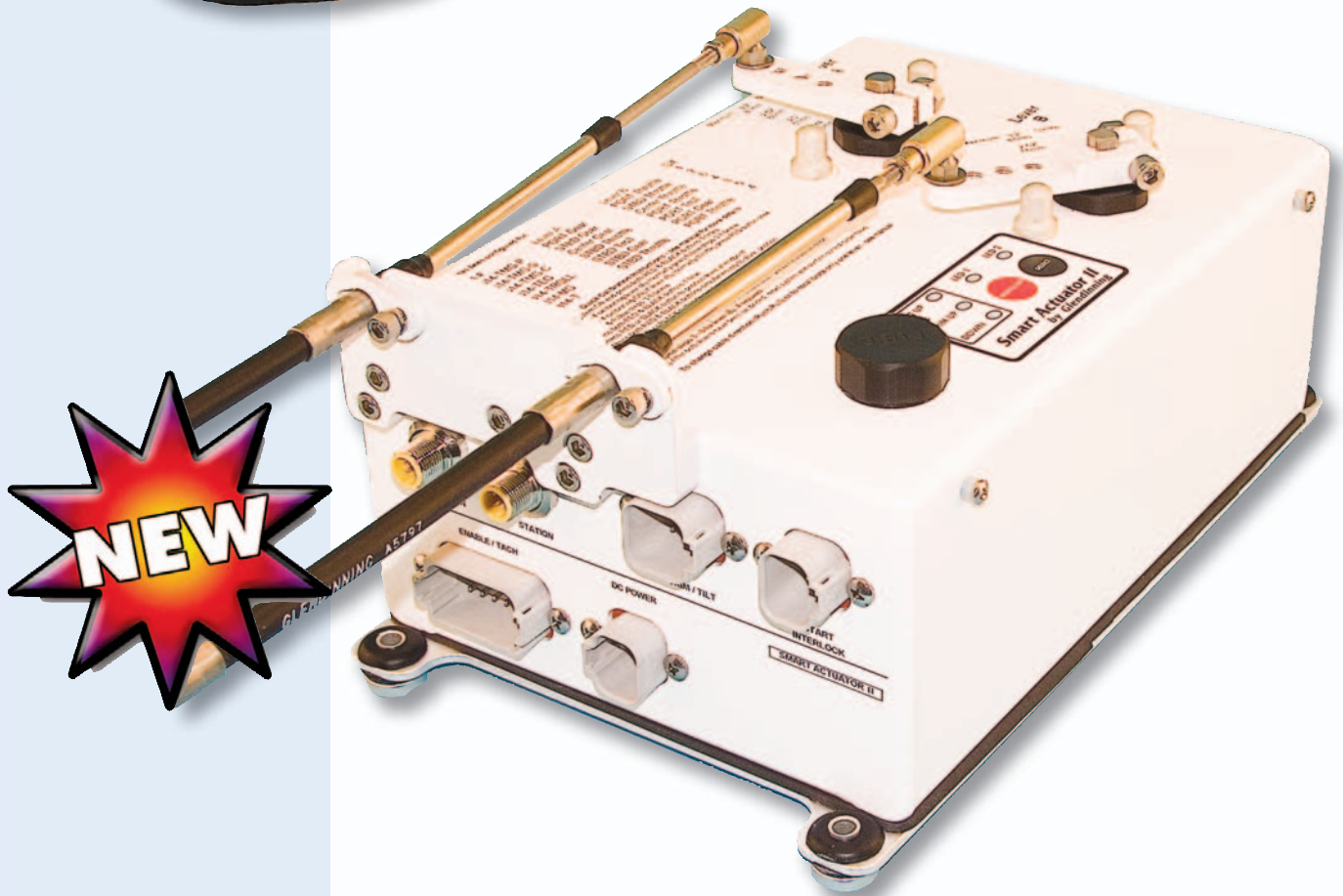




SMART ACTUATOR II™

COMPLETE CONTROLS for:

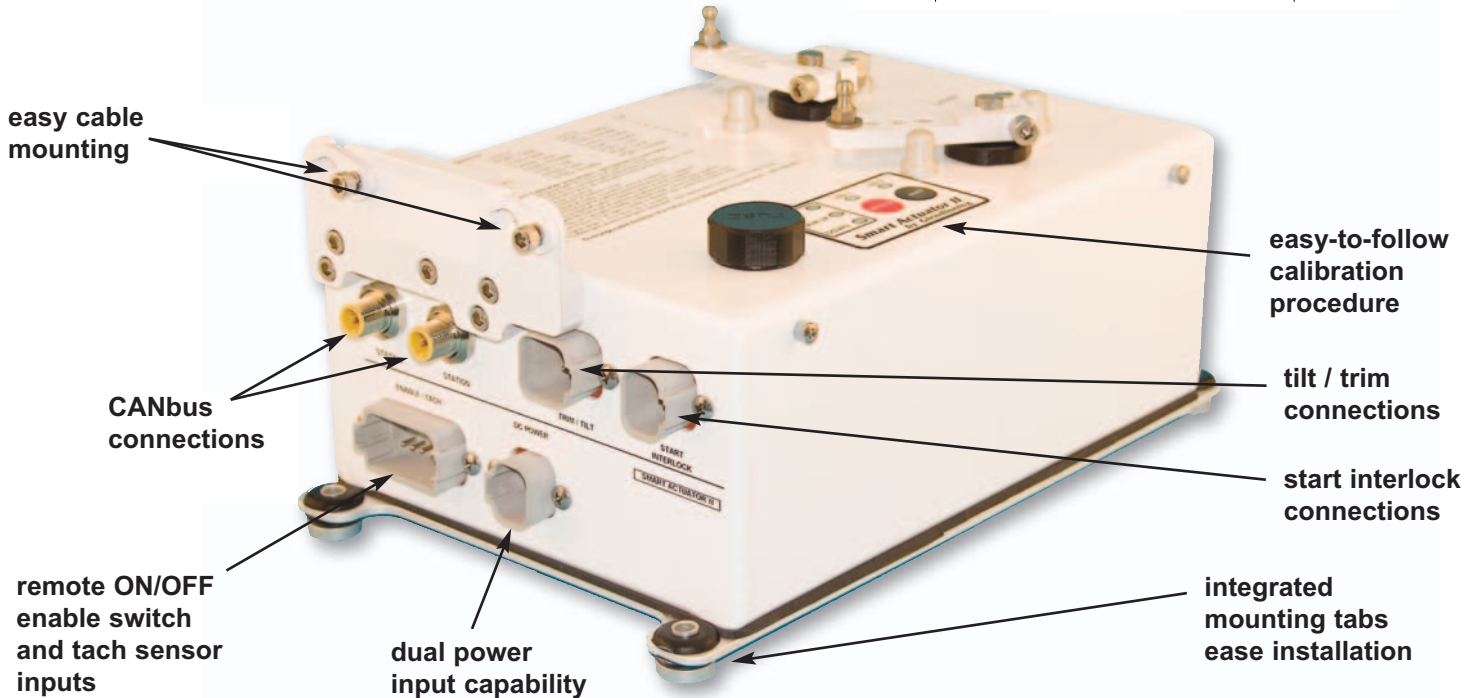
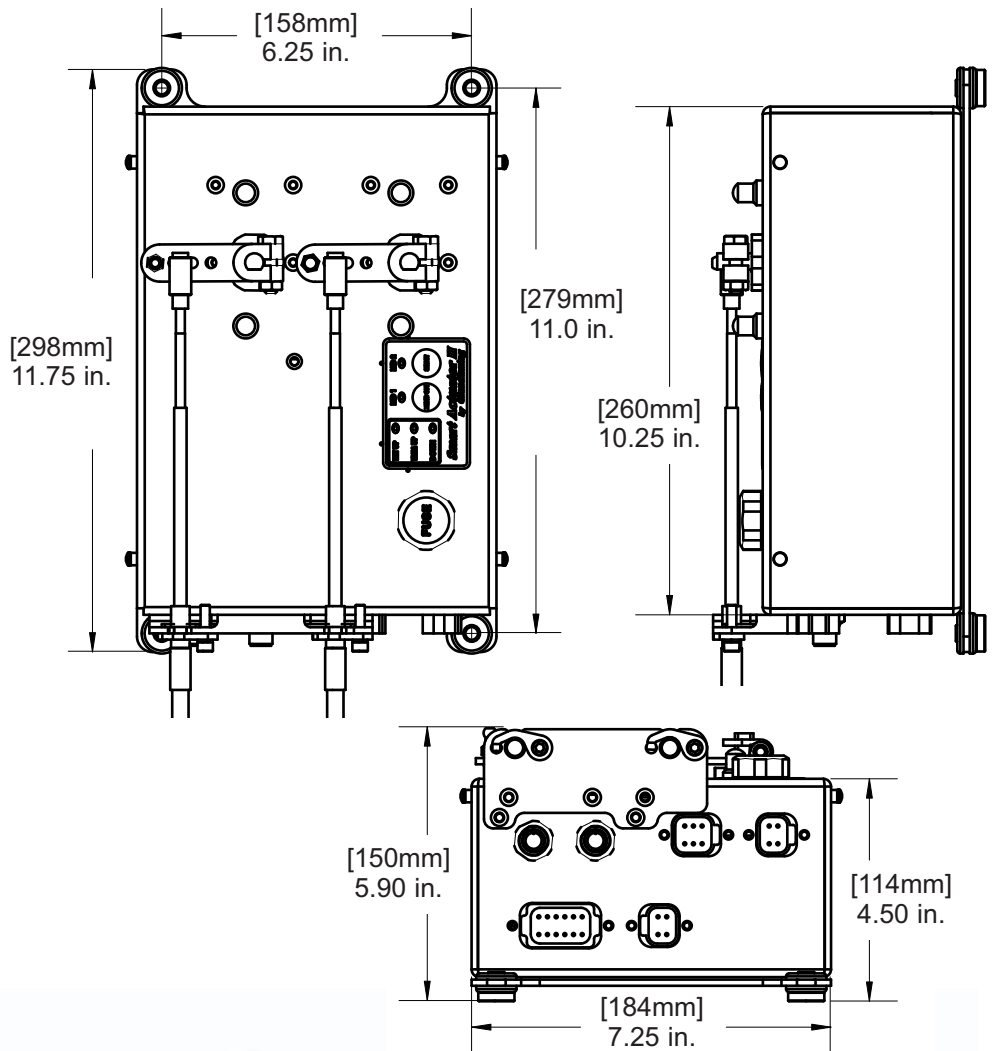
- mechanically controlled engines
- mechanically or electronically controlled transmissions
- integrated trim control



“Relax . . . we’re on board!”

FEATURES

- Compact, lightweight construction — suitable for any application
- Compatible with single, dual or multiple engine applications
- CANbus connection to Control Head makes installation easy — up to 6 stations
- Compatible with Integrated Trim Control Head™ — allows integral control of engine drive unit tilt & trim
- Automatic Synchronization capability
- Easy to follow calibration procedure
- 12 or 24 VDC capability



GLENDINNING
MARINE PRODUCTS, INC.
www.glendinningprods.com

740 Century Circle
 Conway, SC 29526
 Phone: (843) 399-6146
 Fax: (843) 399-5005
smact2b_v1.0 01/07