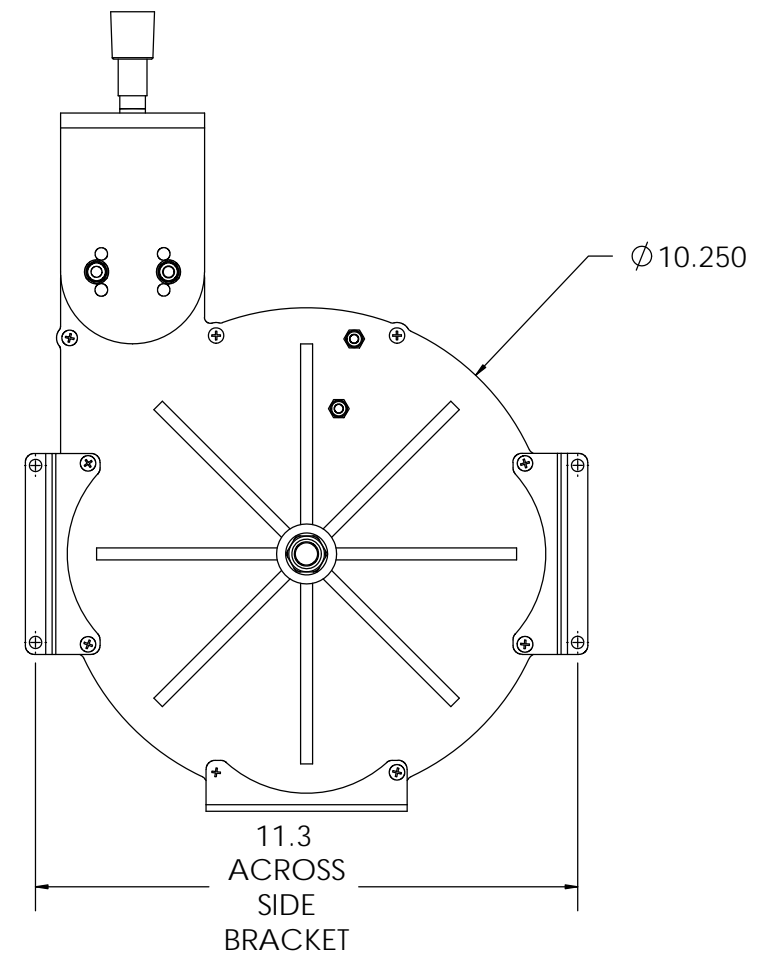
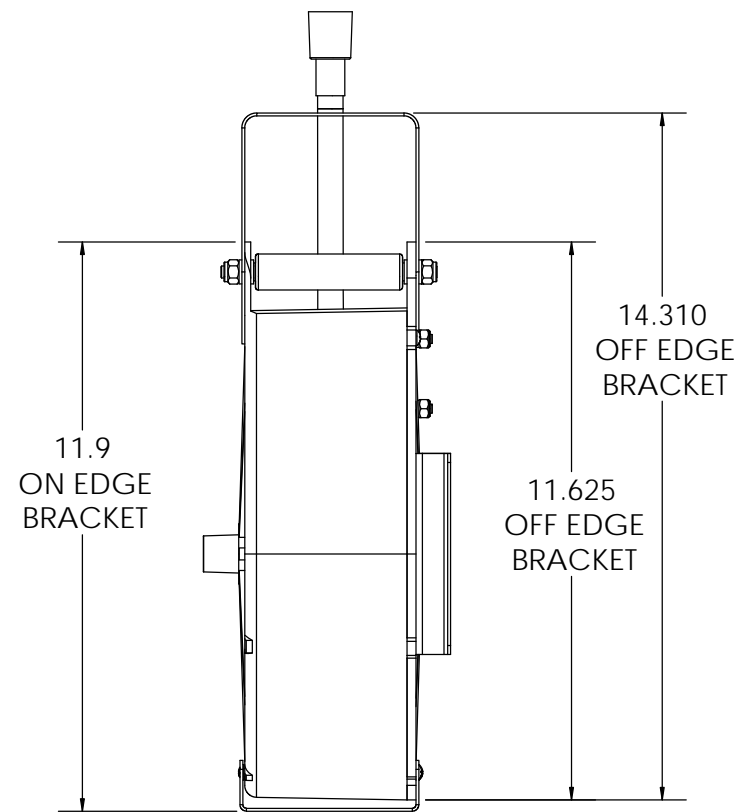
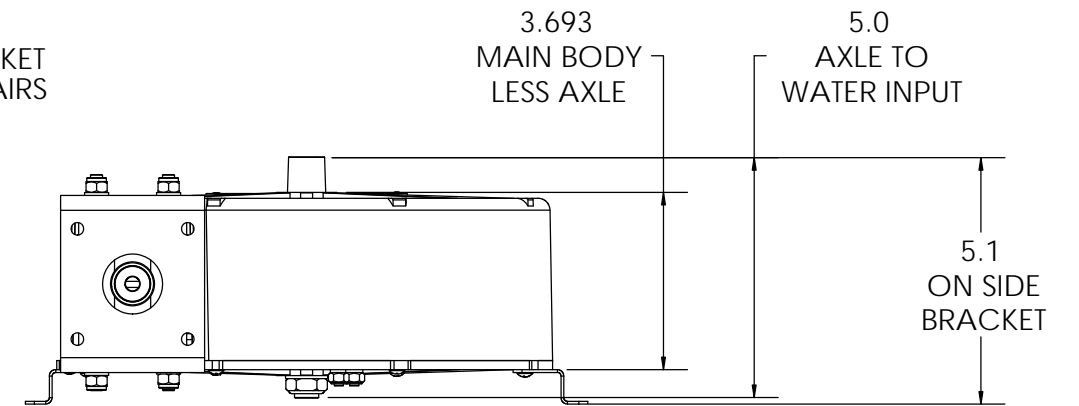
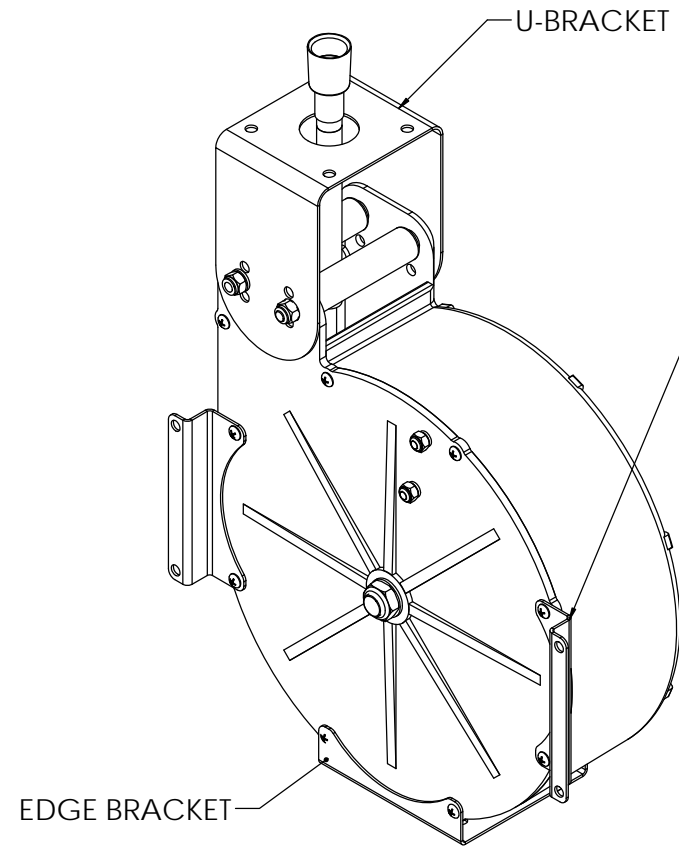
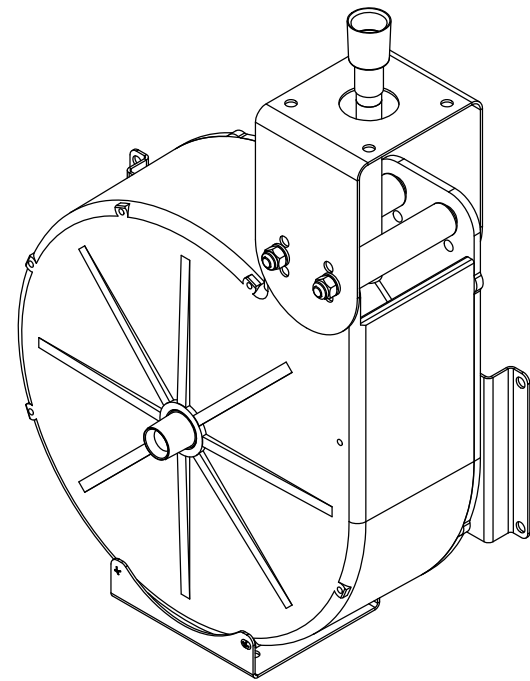


THE INFORMATION CONTAINED IN THIS DRAWING IS THE SOLE PROPERTY OF
Glendinning Marine Products Inc. ANY REPRODUCTION IN PART OR WHOLE WITHOUT
THE WRITTEN PERMISSION OF Glendinning Marine Products Inc. IS PROHIBITED.

MODEL SHOWN WITH ALL BRACKETS ATTACHED
FOR REVIEW ONLY. UNIT WOULD ONLY BE SHIPPED
WITH ONE STYLE OF BRACKETS.

SIDE AND EDGE BRACKETS CAN BE ATTACHED AROUND
THE PERIPHERY OF THE UNIT, ON EITHER SIDE



GLENDINNING MARINE
PRODUCTS INC.
740 CENTURY CIRCLE, CONWAY SC 29526
PH 843 399 6146 FAX 843 399 5005

HOSEMASTER-S

DWG NO. 05550-XX

SIZE B	SCALE 1:2	REV. A
DRAWN BY MMR	DATE 3-11-09	