



# HOSEMASTER Model-S™ & Model-D™

Retract and store your water or shower hose with ease!



● **CONVENIENCE** — for hands-free storage of your shower hose.

● **EASY TO USE** — pull out as much hose as you need, when you are done the built in spring powered motor will retract and store the hose for you.

● **BUILT TO LAST** — made of corrosion resistant materials.

● **COMPACT DESIGN** — makes it ideal for use in most storage spaces.

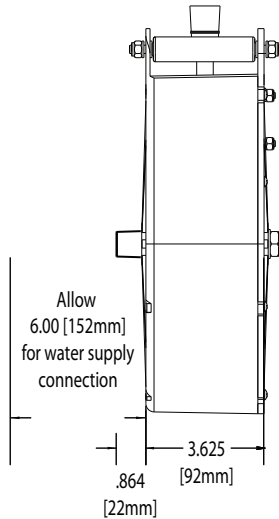
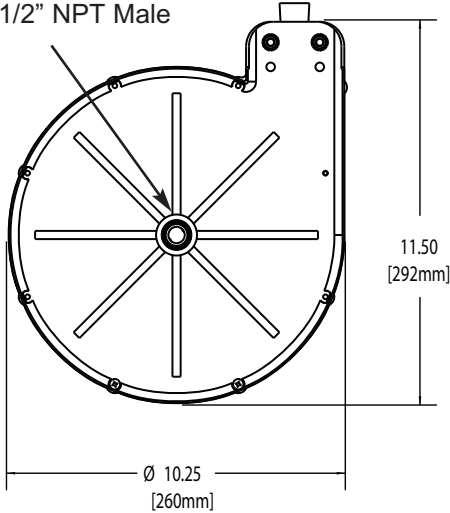
● **VARIOUS MOUNTING OPTIONS** — allows unit to be installed in a variety of positions



***“Relax . . . we’re on board!”***

# HOSEMASTER Model-S™ and Model-D™ SPECIFICATIONS

Water Supply Connection  
1/2" NPT Male



**HOSE OUTLET CONNECTION:**

.....1/2" NPT Female

**NOTE:** Adapter available to make hose fitting compatible with garden hose sprayer

**HOSE TYPE:**

.....0.350 inch ID,  
White non-marking

**PRESSURE RATING:**

.....125psig @ 140° F

**WEIGHT:**

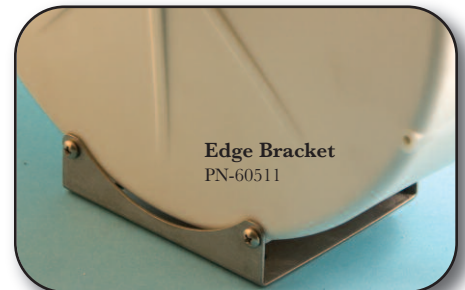
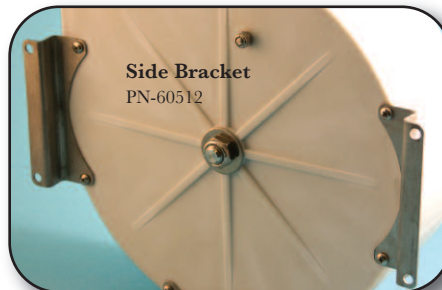
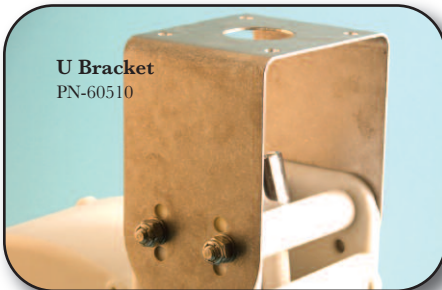
.....4 lbs.  
(with 8 foot hose, not including sprayer)

Part Number	Description	Hose
05550-08-X	Hosemaster-S, including mounting bracket / does not include sprayer (see NOTE 1)	8 feet
05550-16-X	Hosemaster-S, including mounting bracket / does not include sprayer (see NOTE 1)	16 feet
05551-16-X	Hosemaster-D, including mounting bracket & PN 99593-DW Spray nozzle	16 feet
05551-18-X	Hosemaster-D, including mounting bracket & PN 99593-DW Spray nozzle (available July 2008)	18 feet

*Hosemaster units are equipped with one of 3 mounting bracket styles — (U) U-Bracket, (S) Side Bracket, (E) Edge Bracket. Change the "X" in part number to appropriate letter ("U" / "S" / "E") to indicate type of bracket to be supplied with Hosemaster. Example: PN 05550-08-E = Hosemaster S, 8 ft. hose, with Edge Mount Bracket*

**NOTE 1:** With Hosemaster Model-S™, sprayer must be ordered separately. Order suitable sprayer from selection indicated below.

**MOUNTING BRACKETS:** (Hosemaster units are equipped with mounting brackets as specified by Part Number)



**SPRAYERS AVAILABLE:**



For more information, contact our sales engineer or your local dealer today!

740 Century Circle  
Conway, SC 29526

Phone: (843) 399-6146  
Fax: (843) 399-5005



**MADE IN THE USA**

[www.glendinningprods.com](http://www.glendinningprods.com)

SML-HMB3