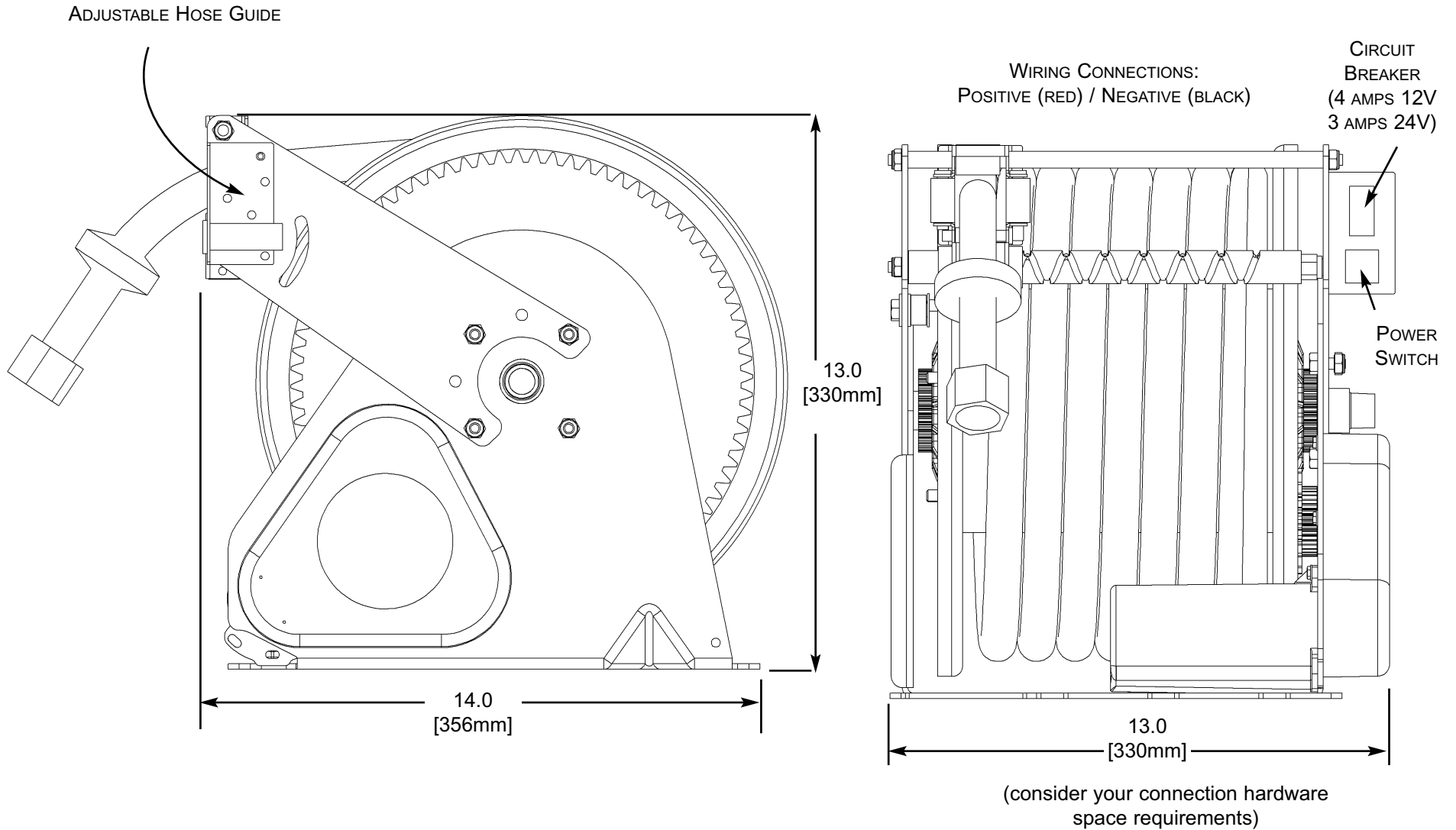


MARINE HOSEMASTER DIMENSIONS



740 Century Circle
Conway, SC 29526

P: 843-399-6146
F: 843-399-5005

www.glendinningprods.com

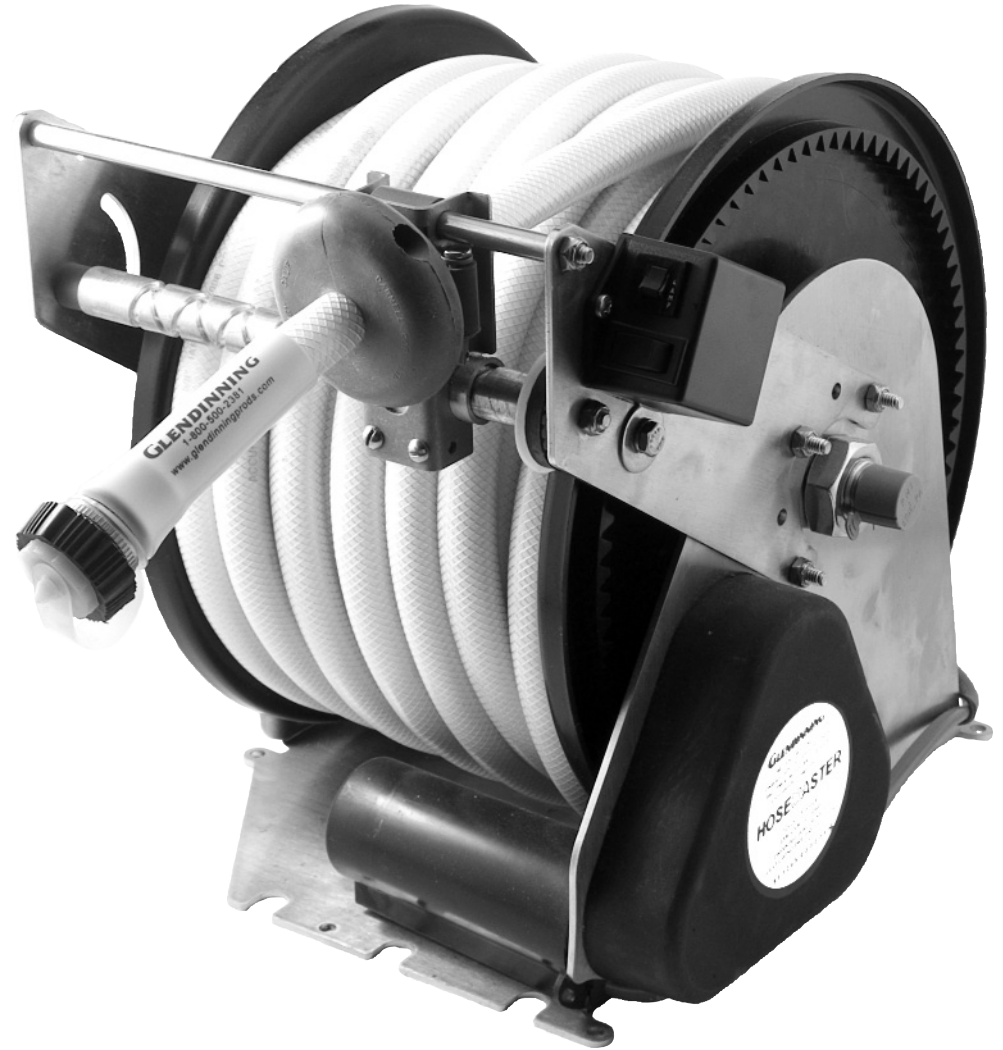
HM2D_v2.0

HoseMaster Features:

- Holds up to 75' of 5/8" water hose, or 100' of 1/2" water hose
- Powered retraction just "push the switch!"
- Levelwind feature neatly stores hose without operator intervention
- Compact design allows for easy installation
- Comes complete with 3' wire and switch assembly (incl. switch, breaker, and mounting bracket)

SPECIFICATIONS:

Voltage:	12 VDC / 24 VDC
Amperage:	4 amps - 12 VDC 3 amps - 24 VDC
Weight:	under 23 lbs.
Dimensions:	Depth — 14.0 [356mm] Width — 13.0 [330mm] Height — 13.0 [330mm]
Capacity:	5/8" white drinking water safe hose
Length of hose:	Up to — 75' - 5/8" Up to — 100' - 1/2"
Part No:	05520 - 5/8" 12V 75' 05521 - 5/8" 24V 75' 05522 - 1/2" 12V 100' 05523 - 1/2" 24V 100'



HoseMaster