



HANDHELD REMOTE CONTROL

Add a helm station anywhere on your boat!

- **ERGONOMIC DESIGN** allows you to effortlessly control both engines at the same time — Lightweight, compact size control unit!
- **DURABLE, WATERPROOF CASING** — same robust construction as our fixed control stations!
- **COMPLETE ENGINE CONTROL** for engine throttle & transmission — all normal functions available at any stationary control head are available on the Handheld Remote plus — *Engine Stop, Engine Start, Bow Thruster, Stern Thruster and Steering Jog (via Autopilot).*
- **STANDARD CABLE LENGTH** of 35 feet allows you to operate your engine controls from virtually anywhere on board. Other lengths available upon request.
- **PLUG-IN OPTION** for multi-location control!



*Lightweight,
compact size!*

“Relax . . . we’re on board!”

2 Ways to Connect the Handheld Remote Station to your Boat!

“Hard-wired” to existing components

— Handheld Remote is “hard-wired” to another component in the EEC system. The Handheld Remote includes 35 feet of cable (standard). If necessary, a Station Communication Cable can be used to extend the Handheld Remote connection.



“Hard-wired” to existing EEC system component (ie. Control Processor, Control Head station, or Auxiliary Function Box).

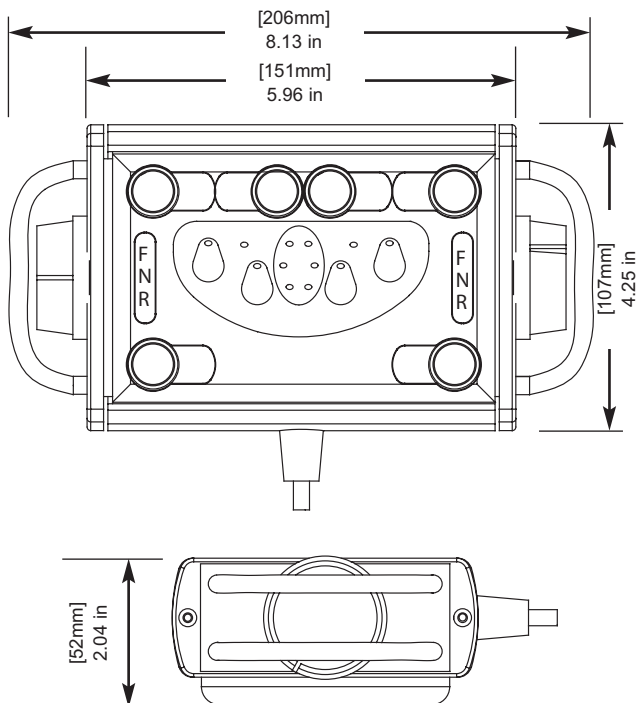
“Plug-in” for increased mobility

— “Plug-in” receptacle can be placed in multiple locations on the boat to increase the usefulness of the Handheld Remote.



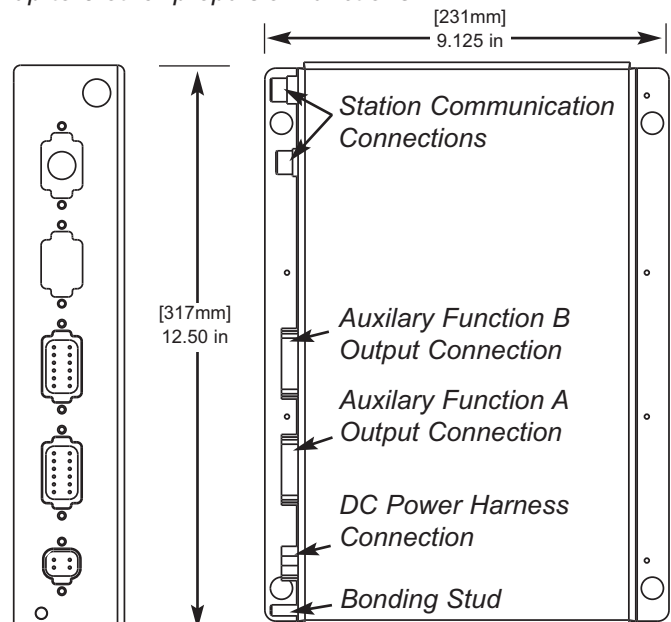
“Plug-in” remotes come with 25’ of cable only. Receptacle can be connected with standard station communication cables (various lengths).

Dimensions



Auxiliary Function Output Box

Auxiliary Function Outputs (A & B) are controlled by the pushbuttons on the Handheld Remote and allow control of up to 8 other propulsion functions



Made in the USA



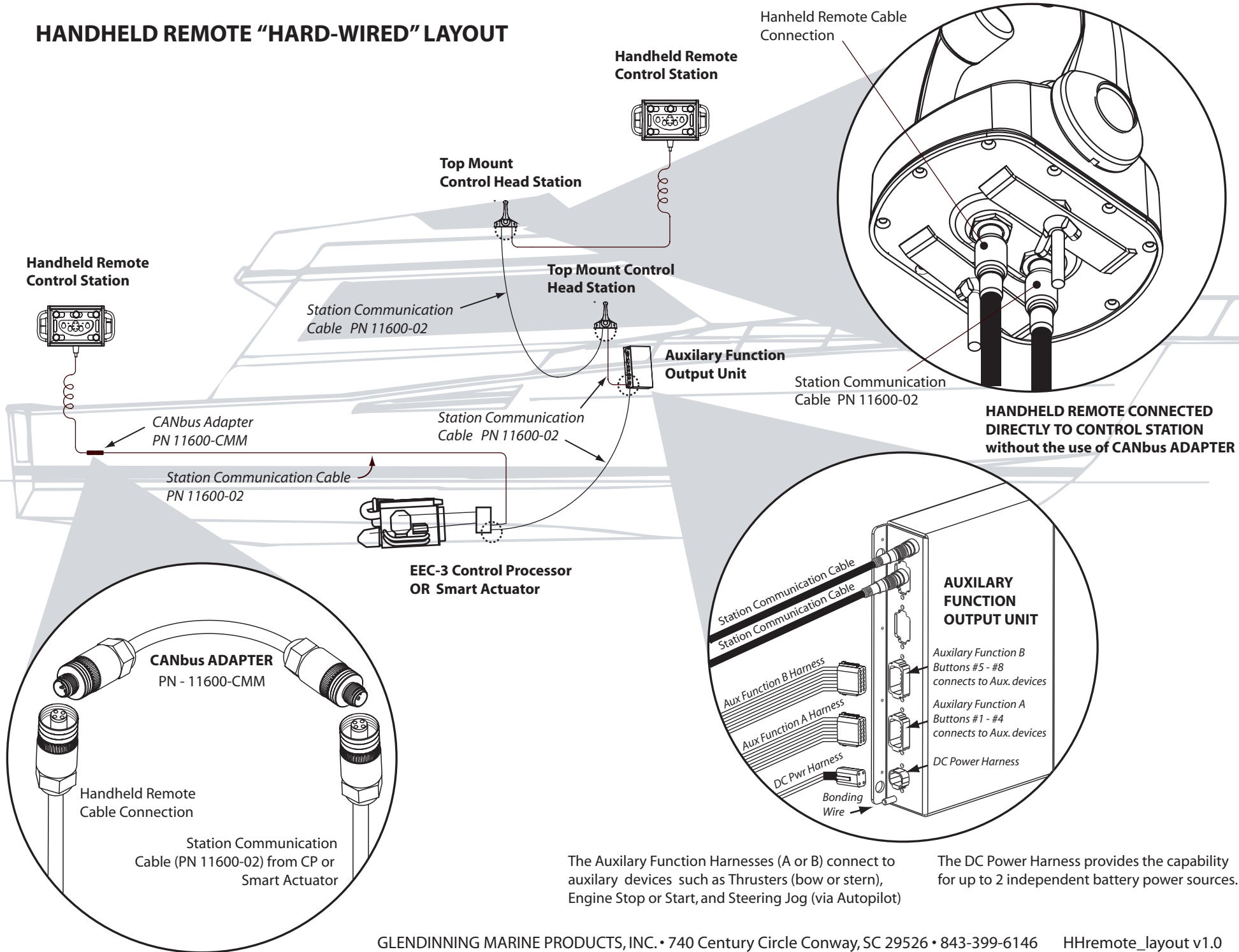
740 Century Circle
Conway, SC 29526

Phone: (843) 399-6146
Fax: (843) 399-5005

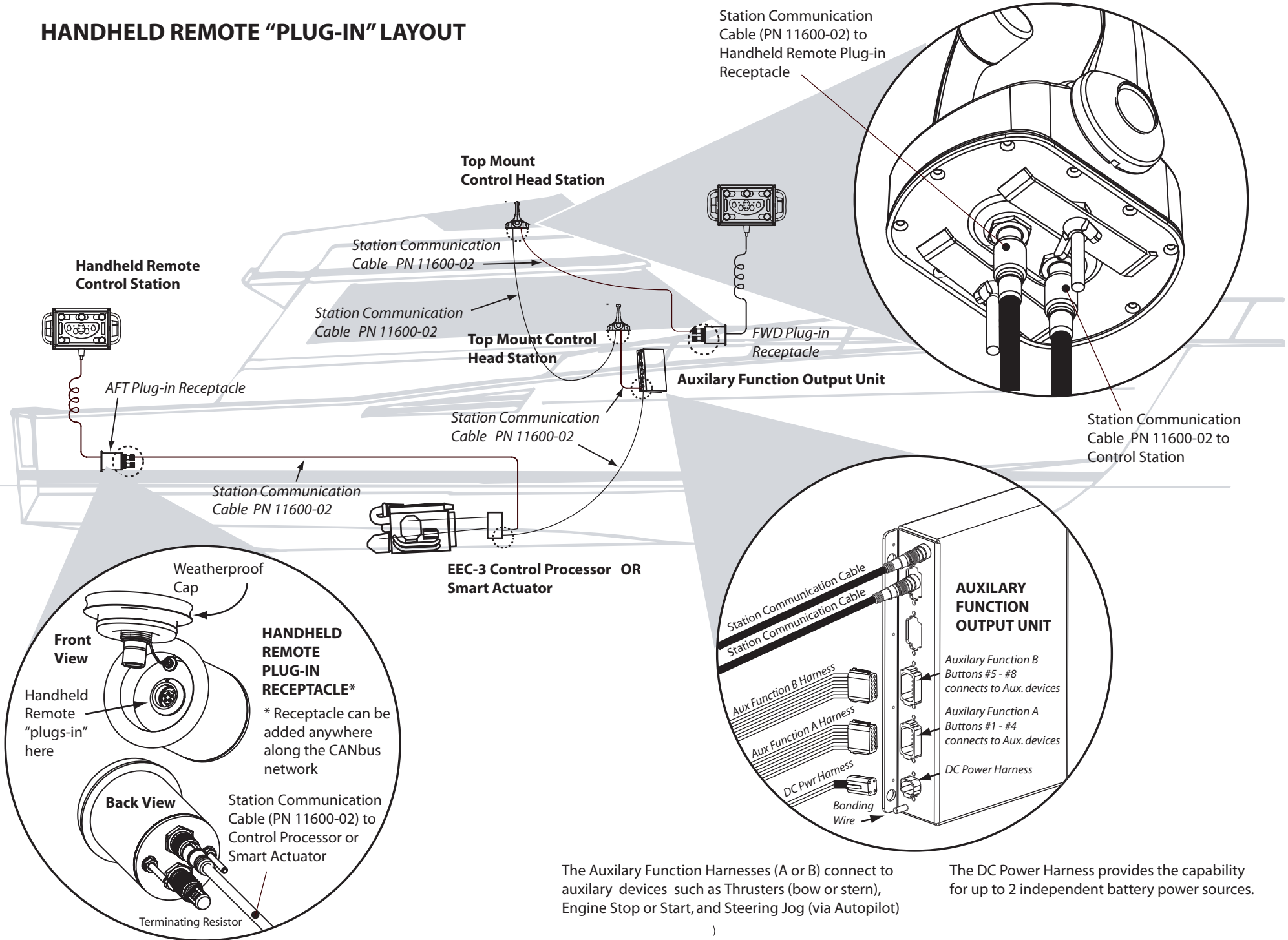
www.glendinningprods.com

EECF1_v2.0

HANDHELD REMOTE "HARD-WIRED" LAYOUT



HANDHELD REMOTE "PLUG-IN" LAYOUT



The Auxiliary Function Harnesses (A or B) connect to auxiliary devices such as Thrusters (bow or stern), Engine Stop or Start, and Steering Jog (via Autopilot)

The DC Power Harness provides the capability for up to 2 independent battery power sources.