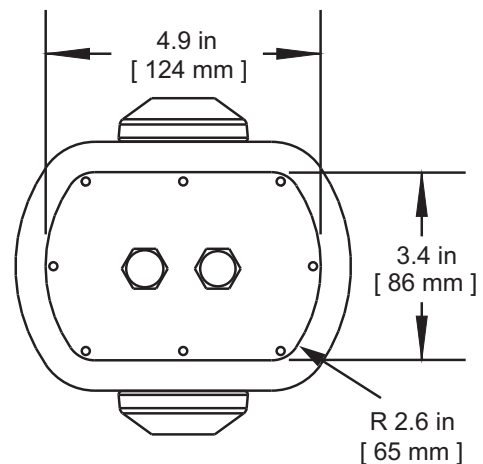
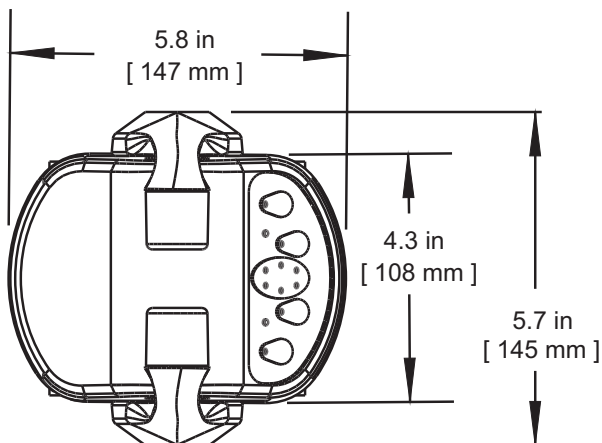
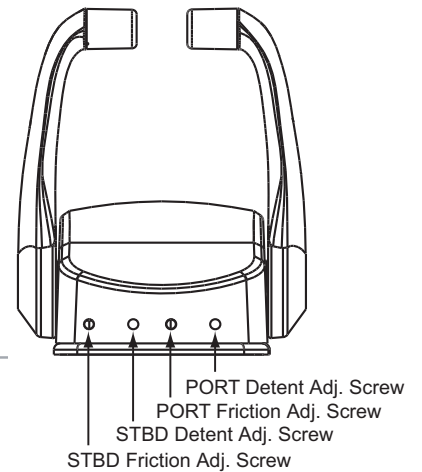
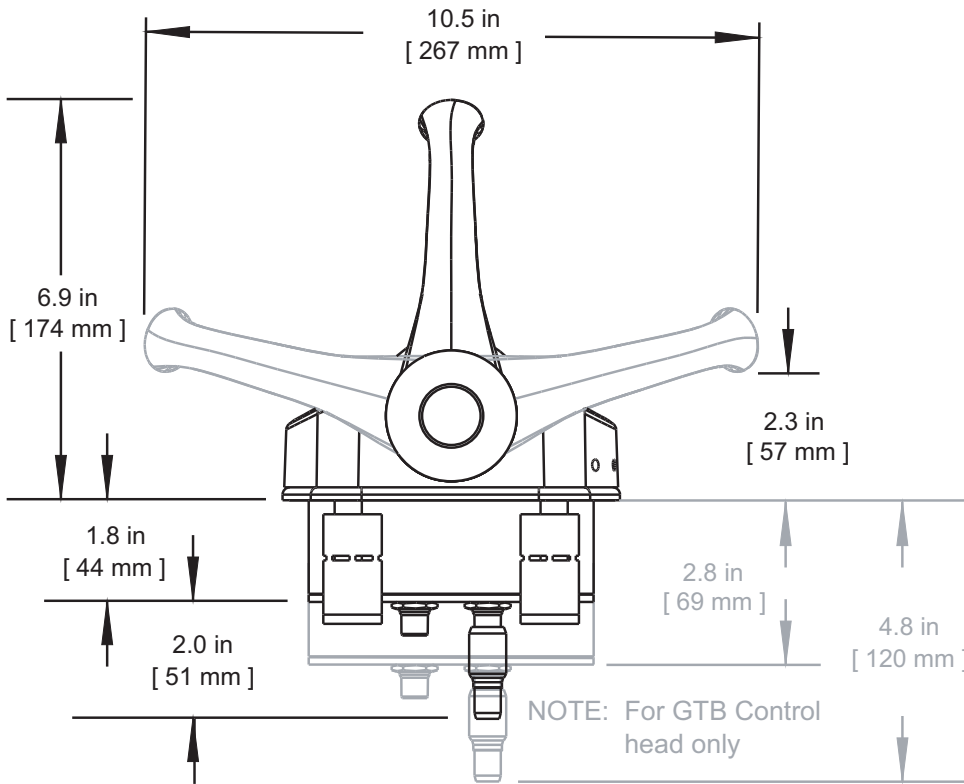
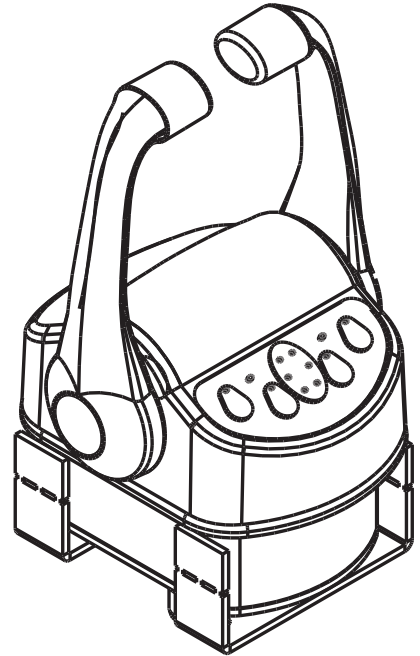


# Complete Controls™ Component Dimensions

## Control Head

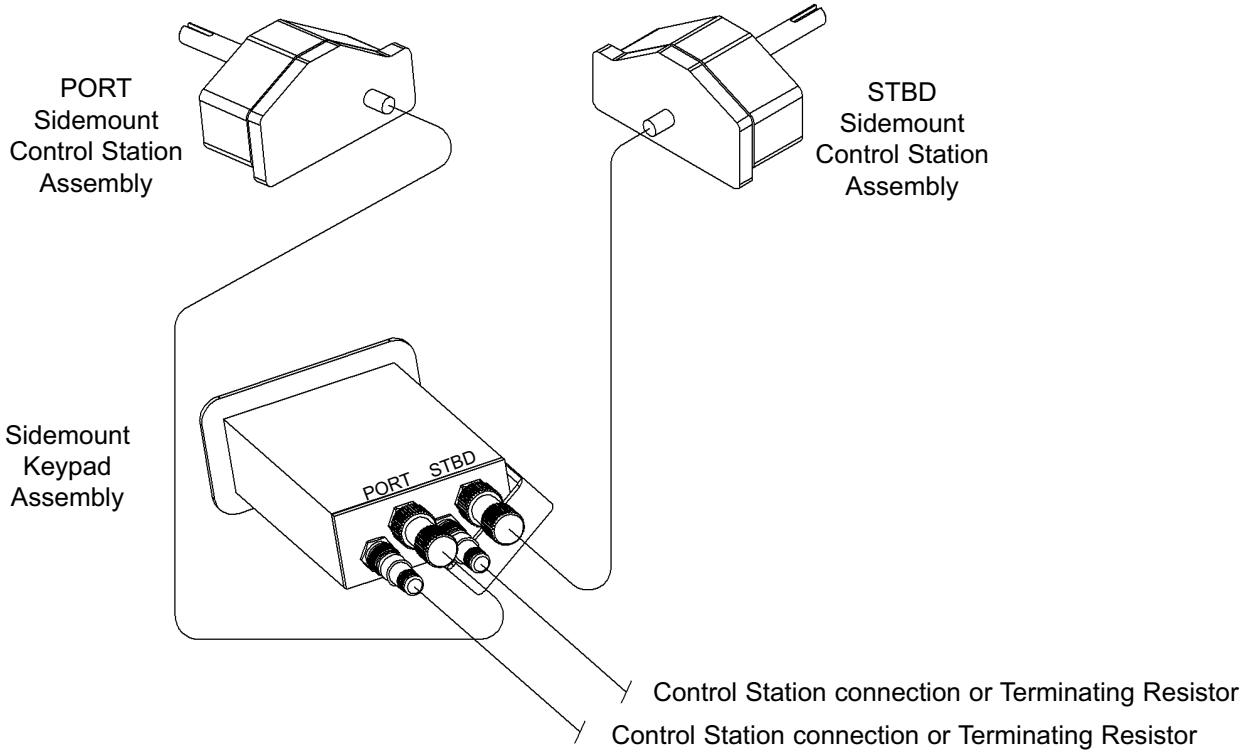
Top Mount Control Head - GMP PN - 11413-XXXX  
GTB Control Head - GMP PN - 11413-XXX-GTB



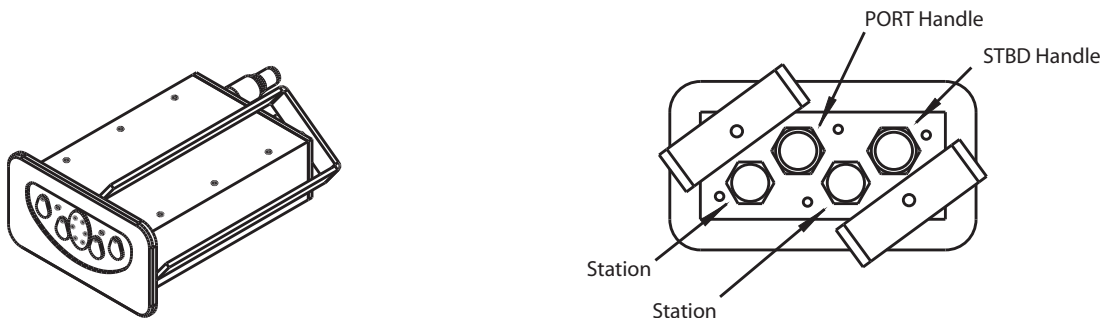
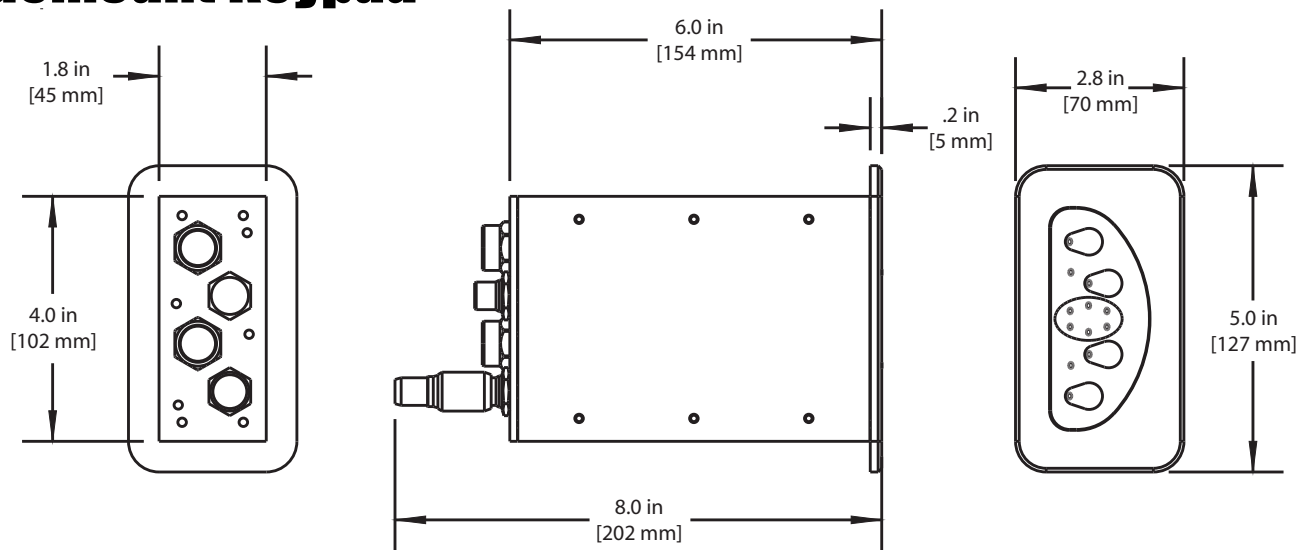
# Sidemount Keypad Assembly Wiring

Sidemount Keypad Assembly - GMP PN - 11437-XX

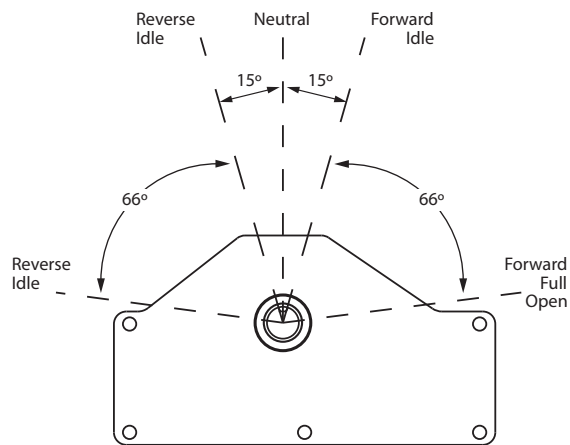
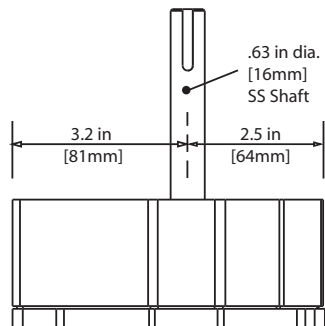
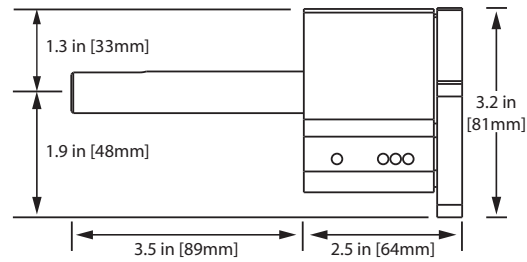
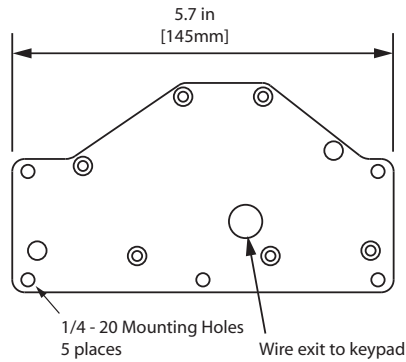
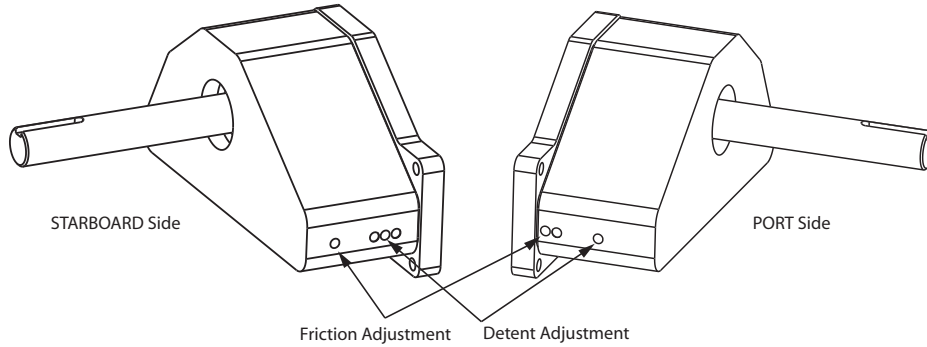
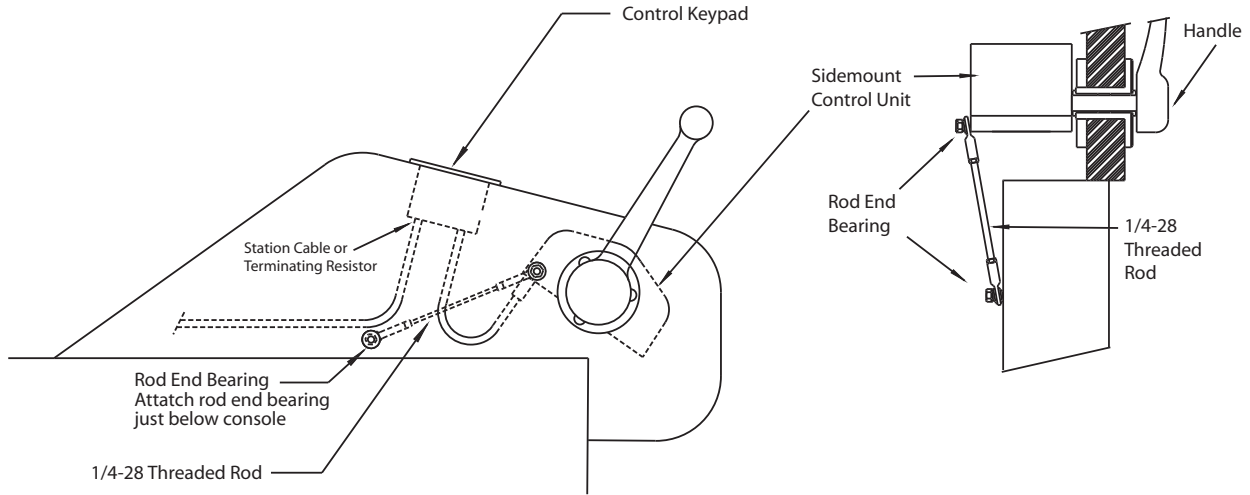
Sidemount Keypad Assembly w/STBD - GMP PN - 11437-XX-STBD



## Sidemount Keypad



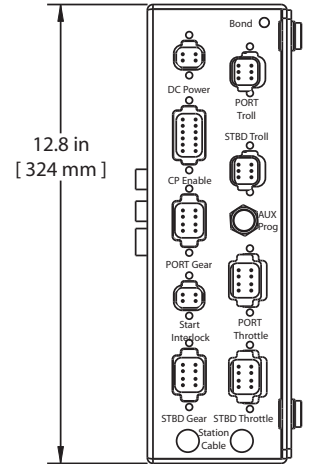
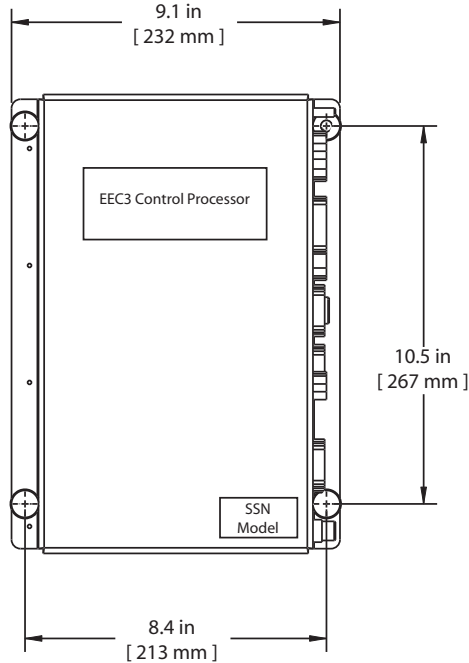
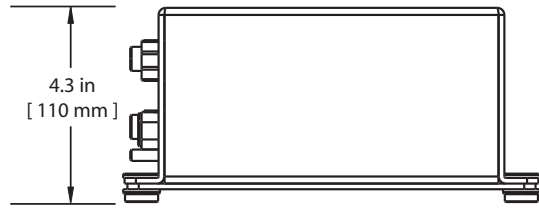
# Sidemount Handle Assembly



(STARBOARD Side Handle Shown)

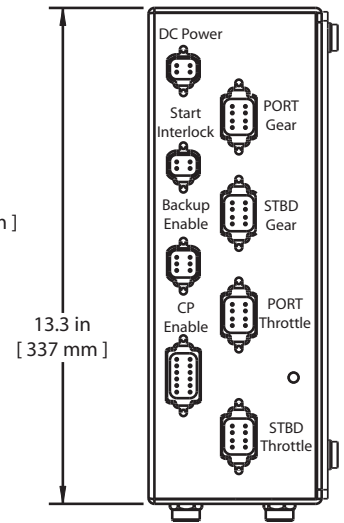
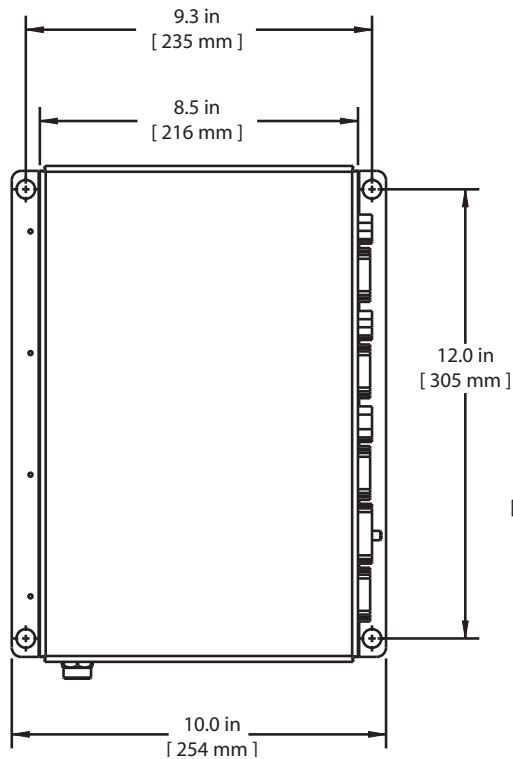
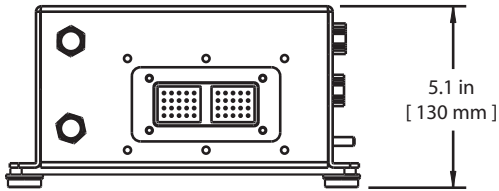
# EEC-3 Control Processor

GMP Part No. - 11230-XX



# GTB Control Processor

GMP Part No. - 11251-XX



FOR MORE INFORMATION ON THE GLENDINNING COMPLETE CONTROLS™ SYSTEM, CONTACT:

EEC3D\_V2.0



**GLENDINNING**  
MARINE PRODUCTS, INC.

[www.glendinningprods.com](http://www.glendinningprods.com)

740 CENTURY CIRCLE  
CONWAY, SC 29526  
(843) 399-6146  
FAX: (843) 399-5005