



# BACK-UP CONTROL FOR ELECTRONIC ENGINES

*Redundant Gear & Throttle Control for Electronic Engines*

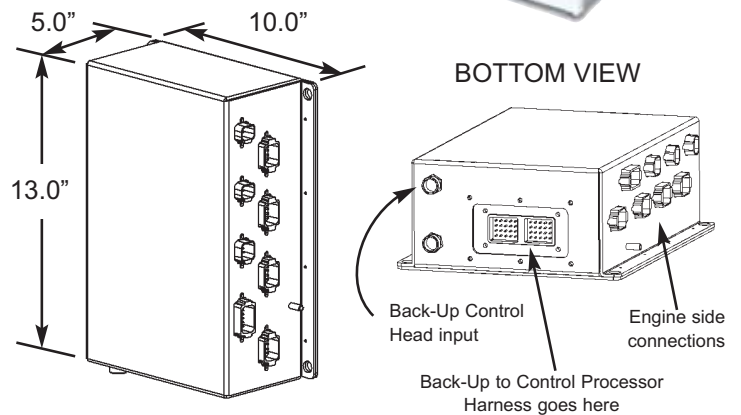
## Is Your Electronic Engine Control System Prepared in the Case of an Emergency?

With all the “bells and whistles” offered with engine control systems, here’s one that will quickly become indispensable!

The *Glendinning* system provides an automatic, integrated back-up control in the event that the normal operating system is not functioning.

### FEATURES:

- **Automatic** — changeover of control from normal operation to the backup system is done by simply flipping a switch!
- **Integrated** — the same control head is used for both normal and back-up operations — there is no need to install a separate control panel for back-up operation!
- **Independent** — backup control is completely independent of the primary control system. A malfunction in one system will have no effect on the other!



The following components comprise the *Glendinning* EEC Back-Up System:



**Back-Up Control Head** — a special control head contains a dedicated potentiometer that controls the Back-Up Control Module.



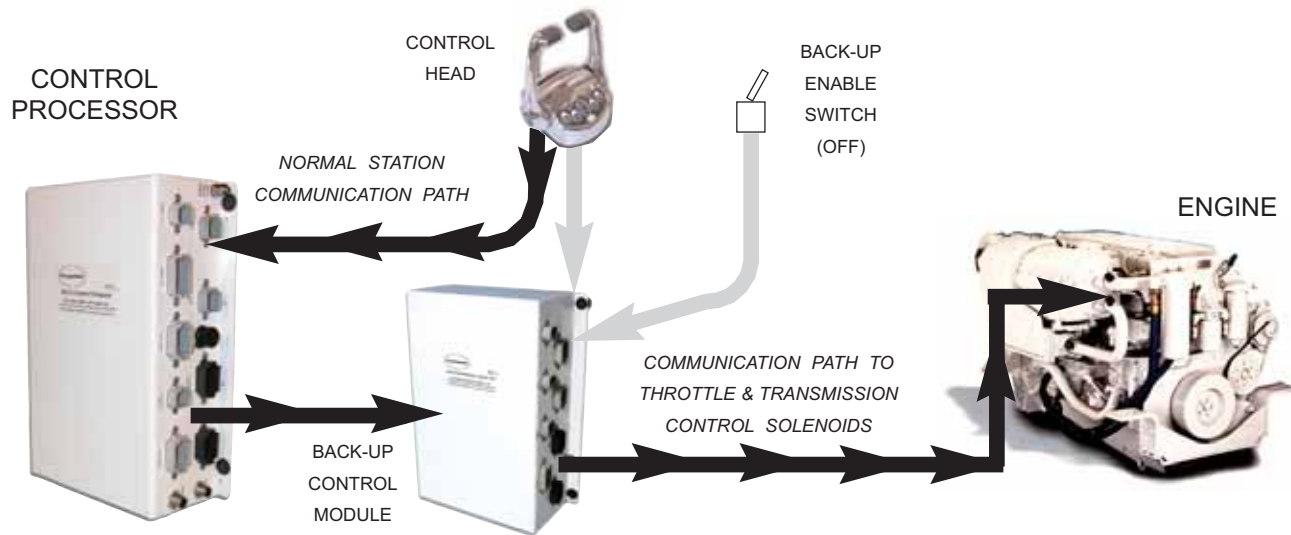
**Back-Up System Harnesses** — pre-terminated connection harness simplifies installation.



**Back-Up Control Module** — the Back-Up Control Module includes the capability for controlling engine throttle & transmission.

## NORMAL SYSTEM OPERATION

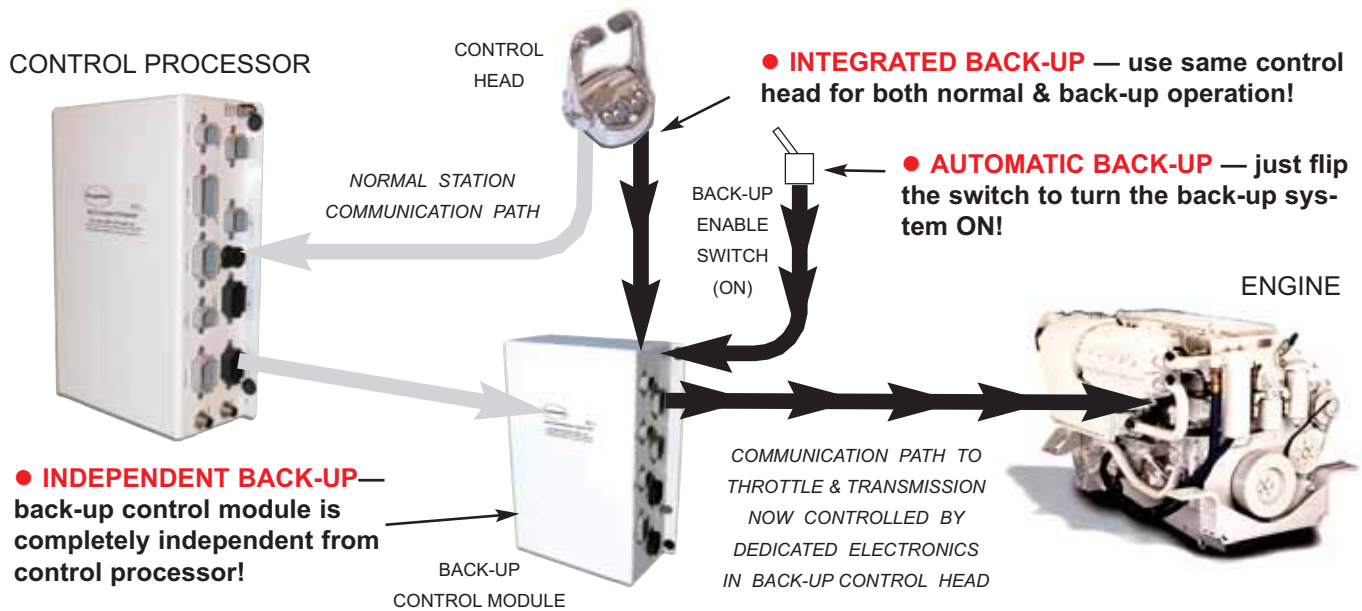
During Normal System operation, the control head communicates gear and throttle signals to the Control Processor. The Control Processor sends these signals uninterrupted through the Back-Up Control Module to the engines' gear and throttle controls.



*NORMAL CONTROL COMMUNICATION PATH UNINTERRUPTED BY BACK-UP CONTROL MODULE*

## BACK-UP SYSTEM OPERATION

During Back-Up System operation, the control head communicates gear and throttle signals directly to the enabled Back-Up Control Module, thus by-passing the Control Processor. The Back-Up Control Module sends the throttle & gear signals to the engine.



Made in  
the USA

**For more information on installation, accessories or other engineering assistance, contact our sales engineer or your dealer today!**



740 Century Circle  
Conway, SC 29526

Phone: (843) 399-6146  
Fax: (843) 399-5005

[www.glendinningprods.com](http://www.glendinningprods.com)

EEC3GTB