



# CABLEMASTER™

## Shore Power Cable Handling Systems

No more struggling with heavy, twisted, and often dirty cables, Glendinning Cablemaster Systems make easy work of managing your shore power cable - with powered extension, retraction and storage below deck, no limit to cable length and models available to handle cable up to 250amp (or more) - there's a Cablemaster to suit most applications.

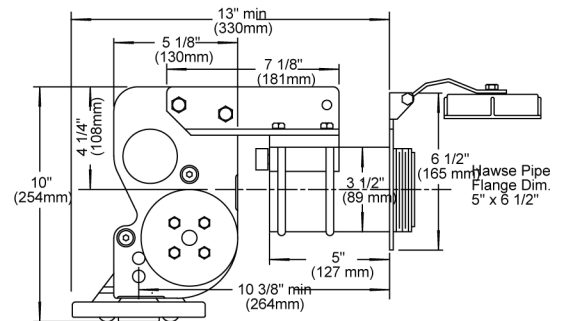
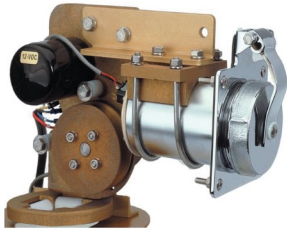
Robust marine construction and powerful drive motors (12 or 24v DC) ensure reliable service together with innovative installation options allowing cable storage in areas below deck that otherwise would go unused making the Glendinning Cablemaster the choice of many major boat builders worldwide.

- **EASY OPERATION** - with the simple flip of a switch or by RF optional wireless remote control extend or retract cable as required
- **SUITS ALL CABLE SIZES** – models available to suit all common applications including 30/50/100/150/200amp+ (US) and 32/63/125/200 amp+ (EU)
- **EFFICIENT STORAGE** - cable automatically coils into a storage container below deck with maximum cable length determined only by size of storage area
- **MULTIPLE INSTALLATION OPTIONS** - multiple accessories available to allow power units to be mounted remote from the final cable storage position
- **TESTED AND APPROVED** -UL. CSA, ABYC, CE, ISO8846

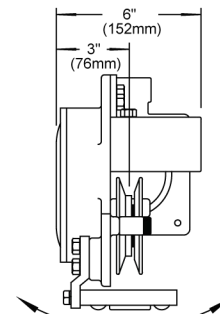


***“Extend... Retract . . . Relax!”***

## CM 4

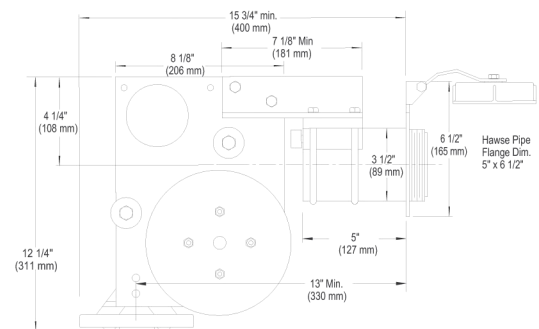
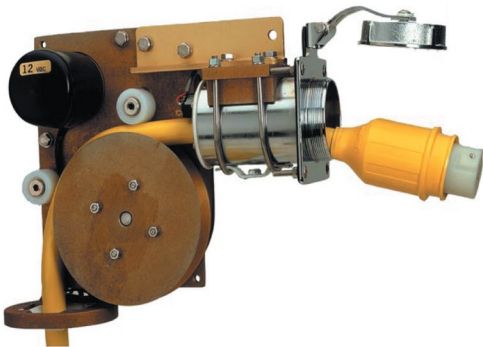


- **30amp** (USA) or **32amp** (EU) applications
- Handles cable sizes **0.5\"**(12mm) ID to **0.825\"**(21mm) ID
- 12v or 24v DC units available
- Cable length determined by available storage area
- Supplied complete with stainless steel hawse pipe

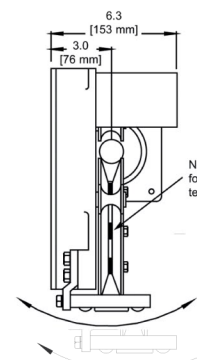


NOTE : Unit may swivel up to 45 deg.

## CM 7



- **50amp** (USA) or **63amp** (EU) applications
- Handles cable sizes **0.82\"**(21mm) ID to **1.14\"**(29mm) ID
- 12v or 24v DC units available
- Cable length determined by available storage area
- Supplied complete with stainless steel hawse pipe

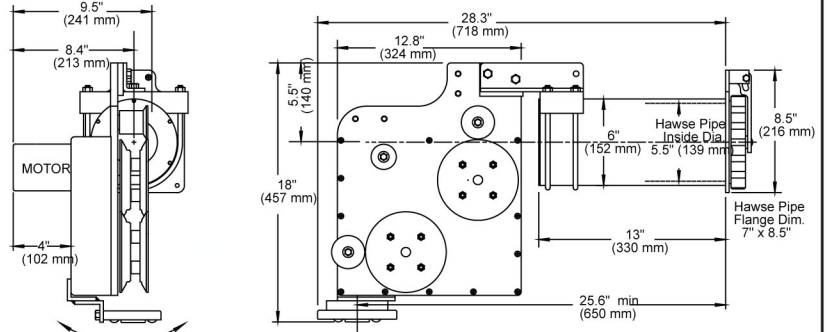


NOTE: Spacers provided for variable cable diameter adjustment

NOTE: Power Unit may swing up to 45 degrees

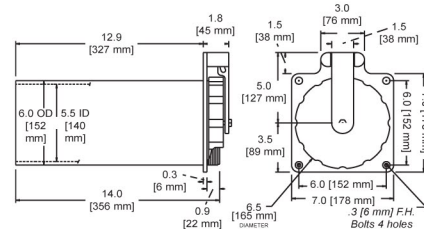
NOTE : Unit may swivel up to 45 deg.

# CM 8

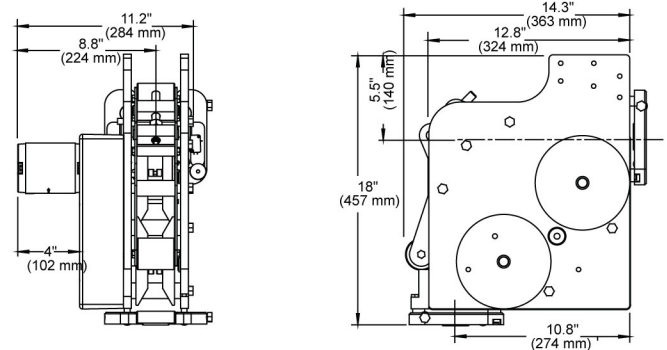


NOTE : Unit may swivel up to 45 deg.

- **100amp** (USA) or **125amp** (EU) applications
- Handles cable sizes **1.14" (29mm)** ID to **1.625" (42mm)**
- 24v DC
- Cable length determined by available storage area
- Supplied with or without anodized aluminium hawse pipe



# CM 9

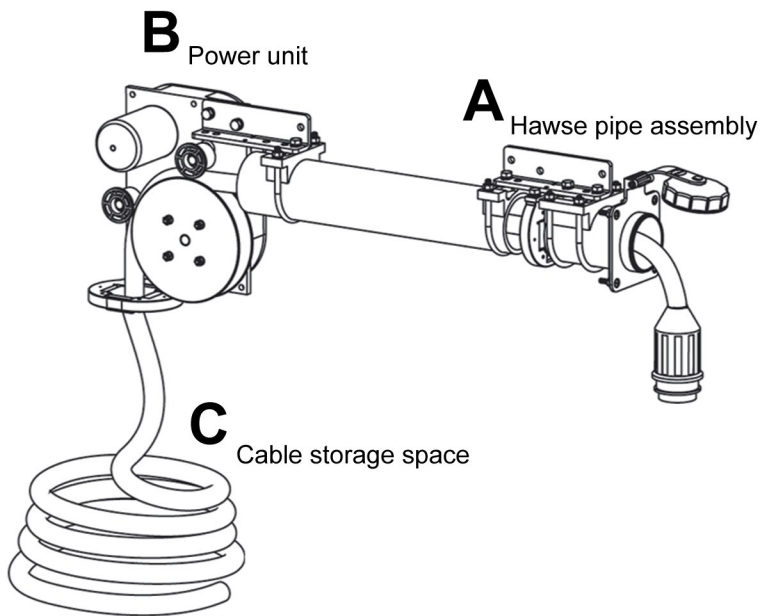


- **150amp+** applications
- Handles cable sizes **1.625" (42mm)** ID to **2.36" (60mm)\***
- 24v DC
- Cable length determined by available storage area
- Supplied without hawse pipe (optional stainless steel hawse pipe available)

\*for cables with ID over 60mm, contact Glendinning Marine



## SYSTEM COMPONENTS



**A. Hawse Pipe Assembly** - the stainless steel Hawse pipe assembly performs two functions: 1) it provides a watertight (IP67) barrier when the cable is fully retracted, and 2) it stores the shore power cable plug.

**B. Power Unit** - the Power Unit provides the force necessary to extend or retract the cable. The Power Unit includes the drive motor, reduction gearing, guide roller assemblies, limit switches and relay assembly.

**C. Cable Storage Space** - the Cable Storage Space may be built into the area below the Power Unit or a "cable storage container" can be supplied with the Cablemaster™ unit.

## SPECIFICATIONS

**POWER CABLE SIZE**  
**POWER CABLE LENGTH**  
**MOTOR VOLTAGE**  
**LIMIT SWITCHES**  
**CONTROL SWITCH**  
**HAWSE PIPE**

(Outside diameter) = 0,5 to 2.36 inches (12-60mm)

Determined by available cable storage space

12 or 24v DC

Included - Cable is automatically stopped when fully extended or retracted

Toggle switch included with nameplate (RF Remote option available)

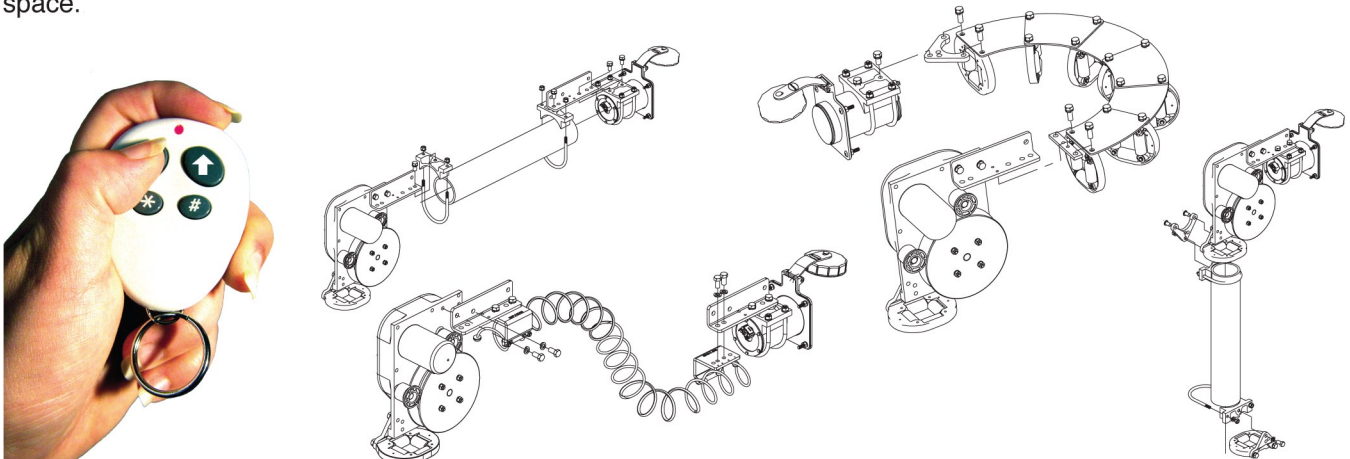
Included with CM4/CM7/CM8. Available with CM9 as optional accessory (actual hawse pipe to be determined by plug dimensions)

**APPROVALS**

CE approved ISO8846 Ignition protected, UL, CSA, ABYC

## ACCESSORIES

Glendinning offers a large variety of extension assemblies to permit "remote" installations of the Cablemaster unit. This allows the Cablemaster power unit and the cable storage container to be located separately from where the cable enters the boat. These Accessories permit the Cablemaster installation to be optimized for the available space.



740 Century Circle  
 Conway, SC 29526



Phone: (843) 399-6146  
 Fax: (843) 399-5005



**MADE IN  
 THE USA**

[www.glendinningprods.com](http://www.glendinningprods.com)

SML-CRM30-EURO\_v1.0