

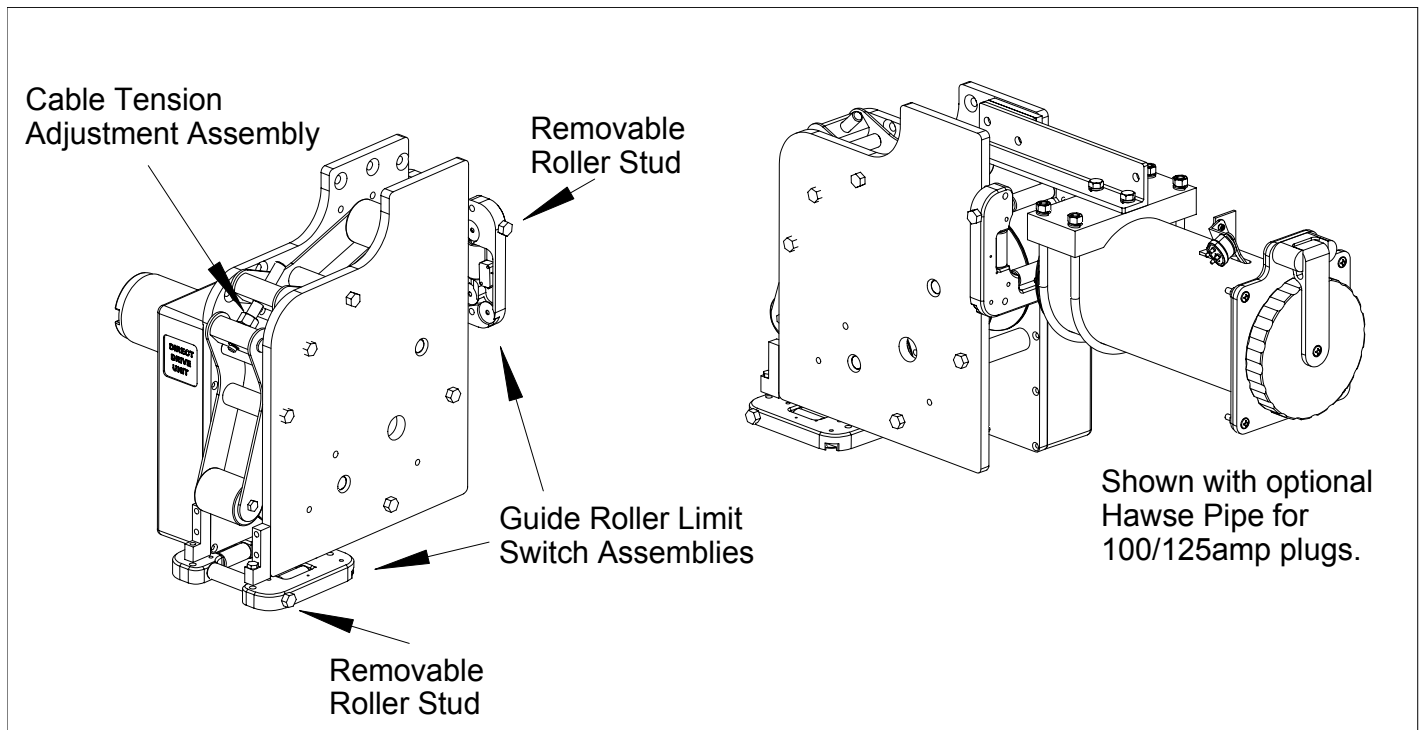
### Installation Operation Manual

#### Introduction

- This addendum is to be used along with our standard CABLEMASTER Manual for CM 4,7,8.
- The CM-9 unit is similar to the CM-8 unit in many ways :
  - Wiring - The CM-9 is identical to the CM-8 unit in terms of DC wiring
  - Size – The CM-9 unit is similar in size to the CM-8 unit
  - Mounting - The CM-9 unit is mounted just like the CM-8 unit is mounted.
  - Troubleshooting/Maintenance – similar to the CM-8 unit
- The CM-9 unit is different from the CM-8 unit in terms of how the shore power cable is tensioned and the adjustment of this tension. The CM-9 unit has larger shore cable capacity and is much simpler to adjust the tension. There are no pulley spacers to add or remove.

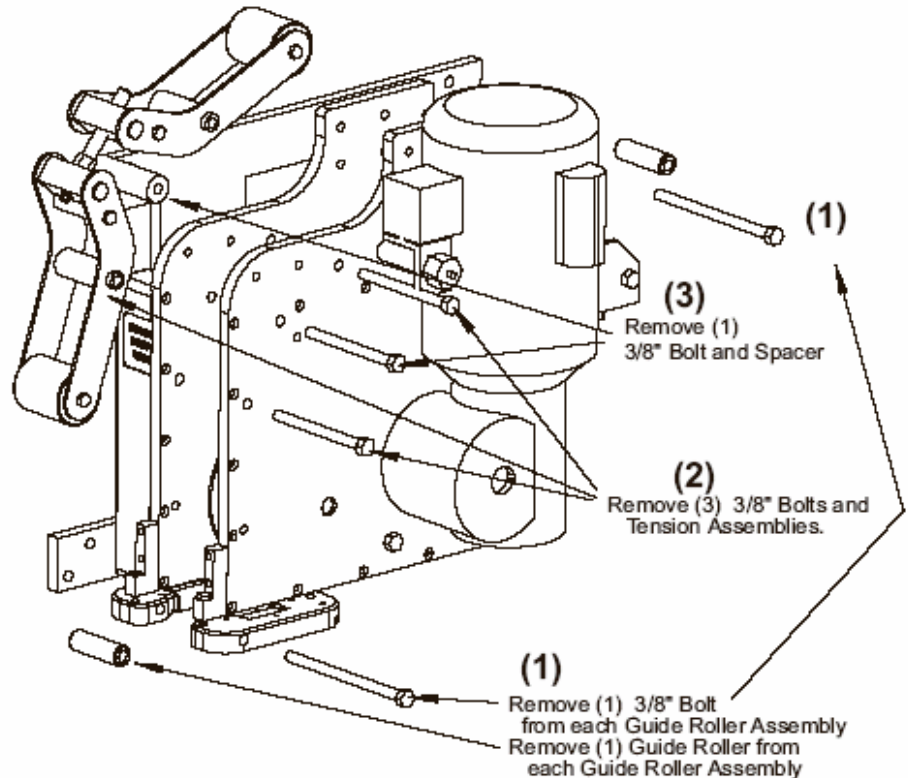
#### Installation

- During installation of the CM-9 unit, follow the standard Cablemaster manual as you would if installing a CM-8 unit.
- The main difference is in the cable installation and cable tension adjustment.
  - Disregard the Cable Adjustment section on page 8 section F in the Cablemaster Manual. Please refer to page 2 of this addendum for the CM-9 cable installation and the cable tensioning adjustment.



## Shore Power Cable Tension Adjustment

- There are two ways to install the shore power cable into the unit.
  - Loosen the tension roller assembly and Guide roller Assembly bolts and feed the cable through the unit OR
  - Remove the Tension Roller Assembly as shown below, install the cable and then re-assemble the tension Roller Assembly
- Once the cable is installed then proceed to the instructions below for cable tension adjustment.



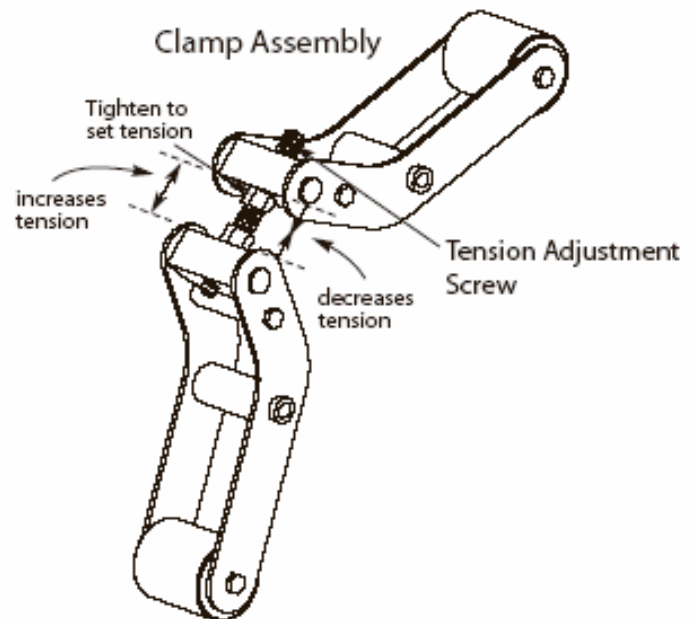
## Shore Power Cable Tension Adjustment

Shore power cable diameters vary from one cable manufacturer to another, the *Cablemaster's* Clamp Assembly allows for adjustment between the cable and main pulley. Too tight adjustment will overload the motor — on the other hand, too loose an adjustment will result in slippage of the cable or no movement of the cable.

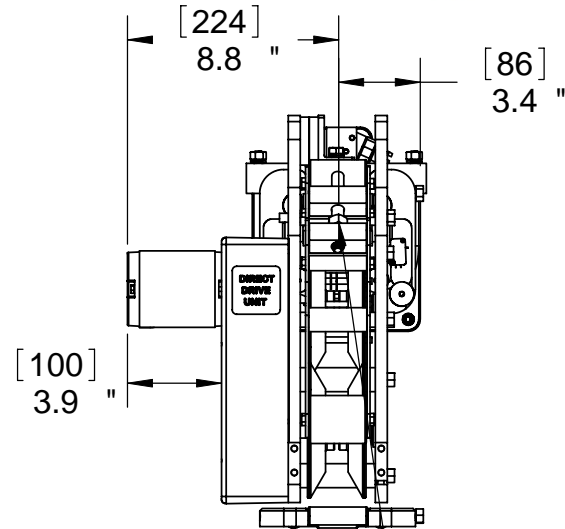
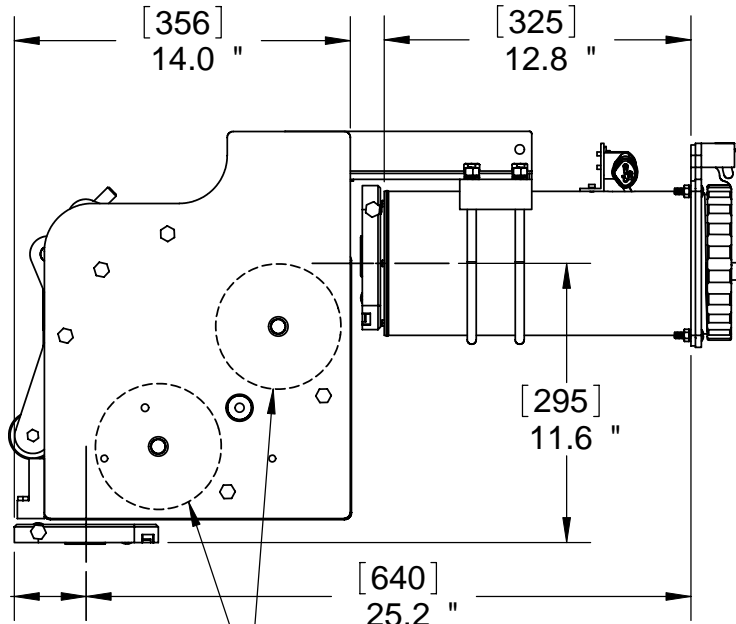
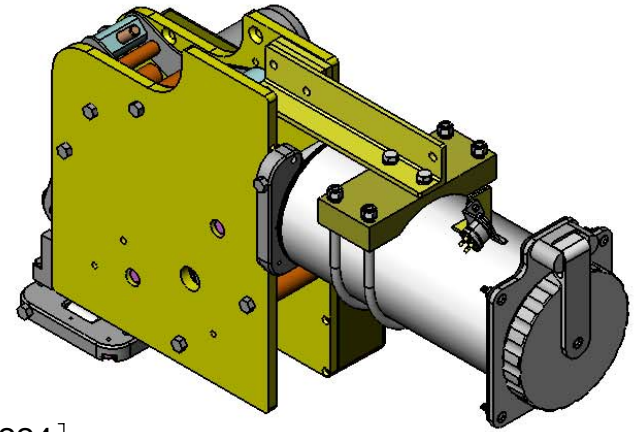
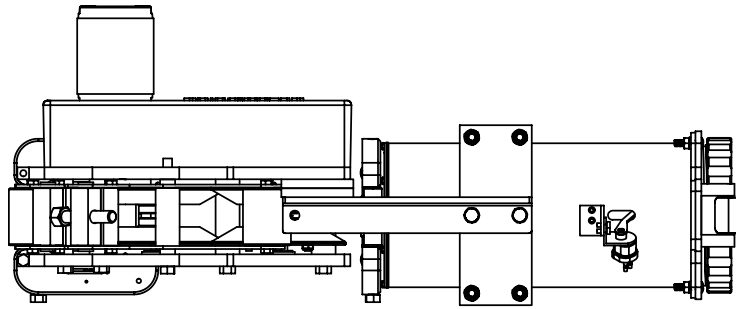
The *Cablemaster* should be able to pay in and out the cable without any slippage or any undue strain depending on the installation, and distance from the the *Cablemaster*. Some assistance will be required when extending power cord on long extension runs or multiple bend installations. Retracting the power cord should not be any problem.

To adjust the the cable tension between the main pulley and the power cable follow the instructions below:

- 1) Locate Clamp Assembly Tension Adjustment screw.
- 2) Increasing space with tension screw will increase the amount of tension applied to the cable. Decreasing space will decrease tension on cable.
- 3) When correct amount of tension is achieved, tighten nut to lock adjustment into place.
- 4) Make sure to not over tension the roller assembly.



THE INFORMATION CONTAINED IN THIS DRAWING IS THE SOLE PROPERTY OF  
 Glendinning Marine Products Inc. ANY REPRODUCTION IN PART OR WHOLE WITHOUT  
 THE WRITTEN PERMISSION OF Glendinning Marine Products Inc. IS PROHIBITED.



Two driving pulleys inside frame

Cable Tension Adjustment S  
 - unit can adjust from 1.5" to 2.3" dia. cable  
 by just turning the adjustment screw

GLENDINNING MARINE  
 PRODUCTS INC.

740 CENTURY CIRCLE, CONWAY SC 29526  
 PH 843 399 6146 FAX 843 399 5005

CM 9 - 24vDC  
 Cablemaster

DWG NO.

04097-xx

SIZE      SCALE      REV.

DRAWN BY

DATE

2/14/2008