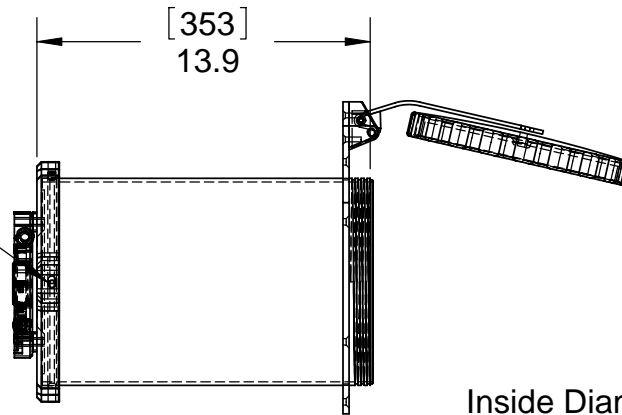


THE INFORMATION CONTAINED IN THIS DRAWING IS THE SOLE PROPERTY OF Glendinning Marine Products Inc. ANY REPRODUCTION IN PART OR WHOLE WITHOUT THE WRITTEN PERMISSION OF Glendinning Marine Products Inc. IS PROHIBITED.

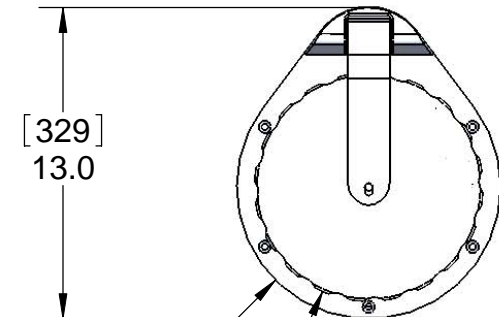
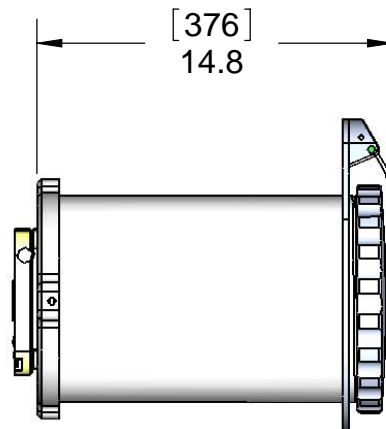
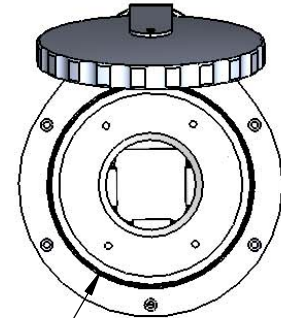
Rear Cap is attached using (4) set screws that lock into a groove in the hawse pipe tube

In-Limit Guide Roller (included with the CM9 Power Unit) can be mounted on the rear of Hawse Pipe using 4 bolts included with Hawse Pipe

Bracketing for pipe extensions are mounted to these bolts

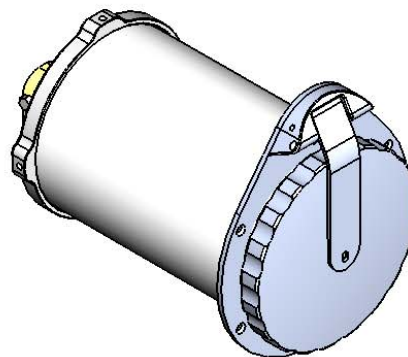
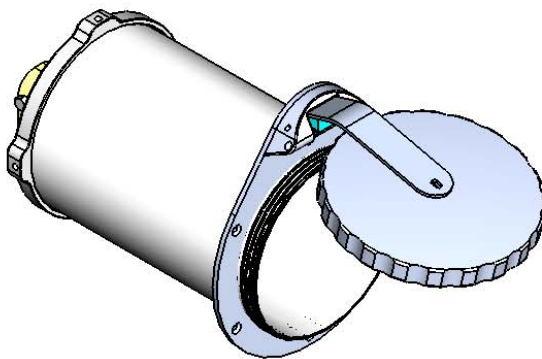


Inside Diameter
[212]
Ø8.3



[279]
Ø11.0

[241]
Ø9.5



Material : 316 Stainless
Finish : High Polish

Hawse Pipe is design to fit
Hubbell, Mennekes, Marechal
and other 200-250amp plugs

GLENDINNING MARINE
PRODUCTS INC.
740 CENTURY CIRCLE, CONWAY SC 29526
PH 843 399 6146 FAX 843 399 5005

CM9 Hawse Pipe

DWG NO.

GMP Part # 04097-5

SIZE	SCALE	REV.
	1 : 4	

DRAWN BY	DATE
PG	5/5/09