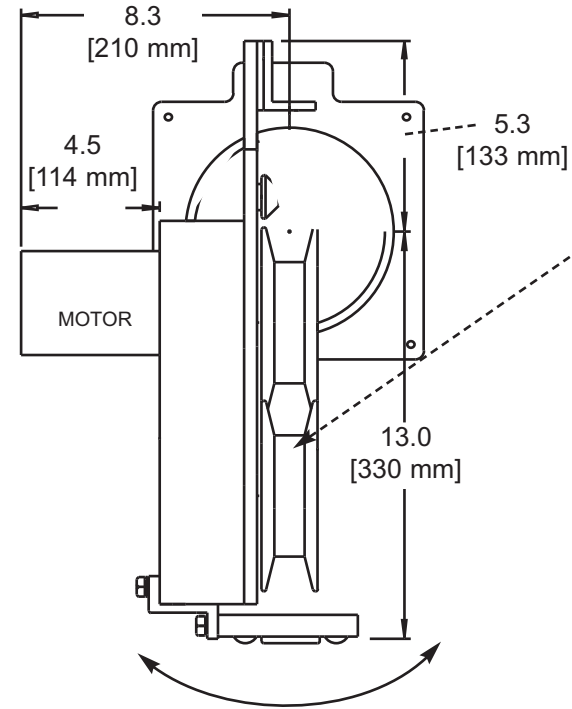
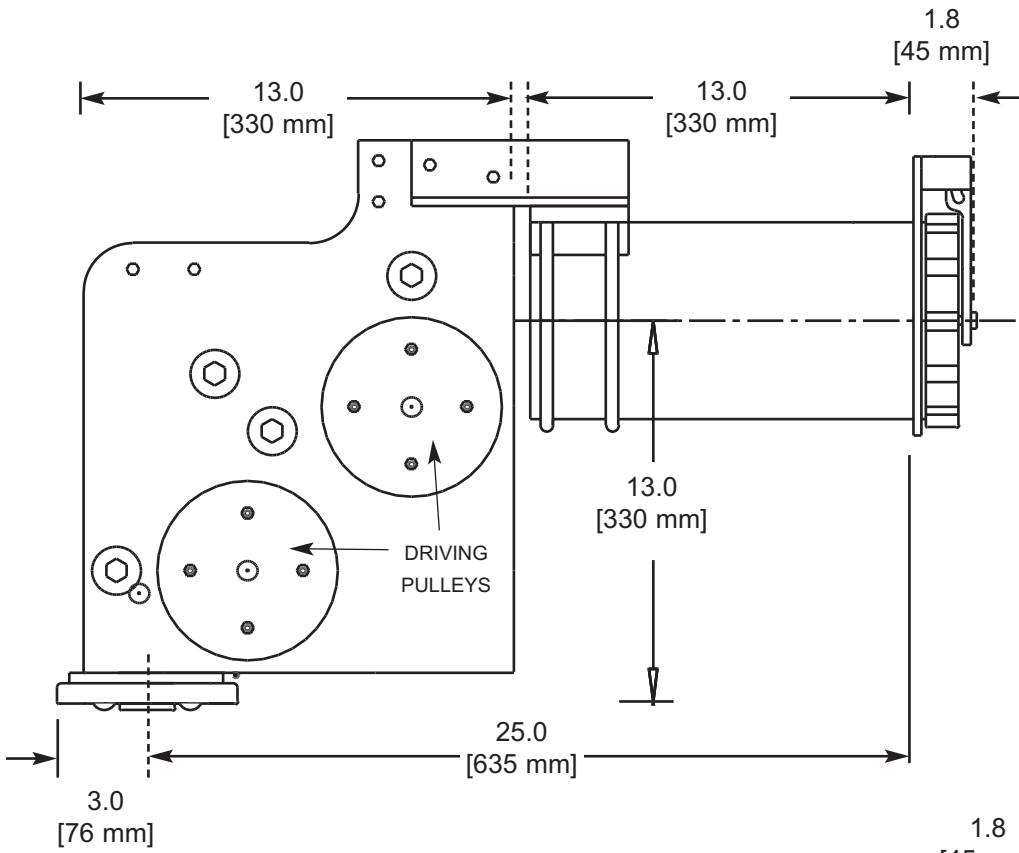
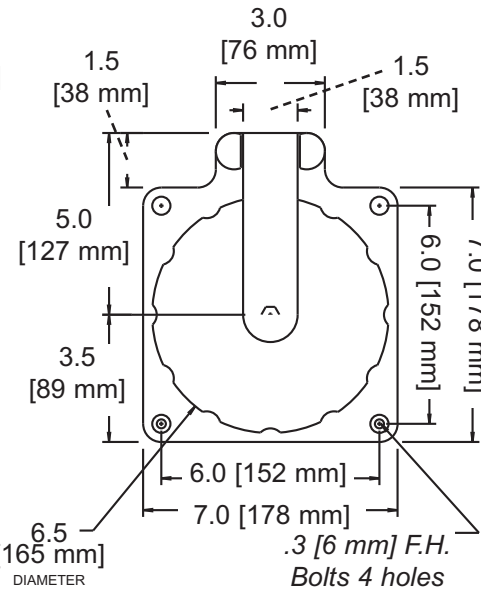
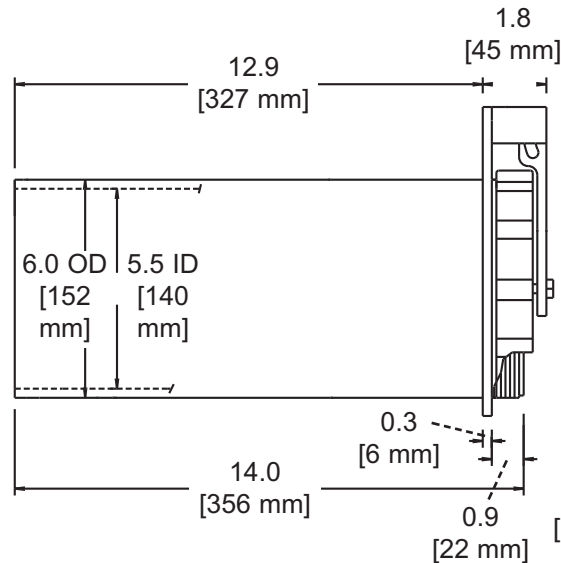


CM-8 DIMENSIONS



NOTE: Spacers provided for variable cable diameter adjustment

NOTE: Power Unit may swing up to 45 degrees



NOTE: Hawse Pipe accepts a standard 100 amp "pin and sleeve" type shore side connector.

Exterior of Hawse Pipe may be painted (by the installer) to suite your color preference.

Hawse Pipe Cap has a neoprene gasket to assure a watertight seal.

Material6061

Aluminum

FinishYellow

Anodize

(Cablemaster)

Clear Anodize

(Hawse Pipe)



GLENDINNING
MARINE PRODUCTS, INC.

740 Century Circle
Conway, SC 29526
P: 843-399-6146
F: 843-399-5005
www.glendinningprods.com

CM8D_v2.0

CM-8 DIMENSIONS

SPECIFICATIONS:

Voltage:12, 24 or 32 VDC

Amperage:12 VDC = 8-10 amps
 24 VDC = 5-6 amps
 32 VDC = 5-6 amps

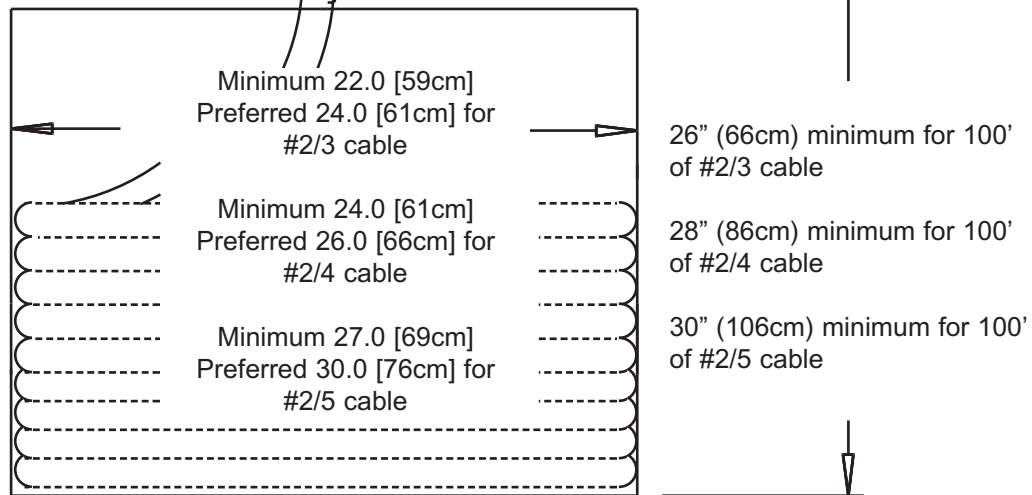
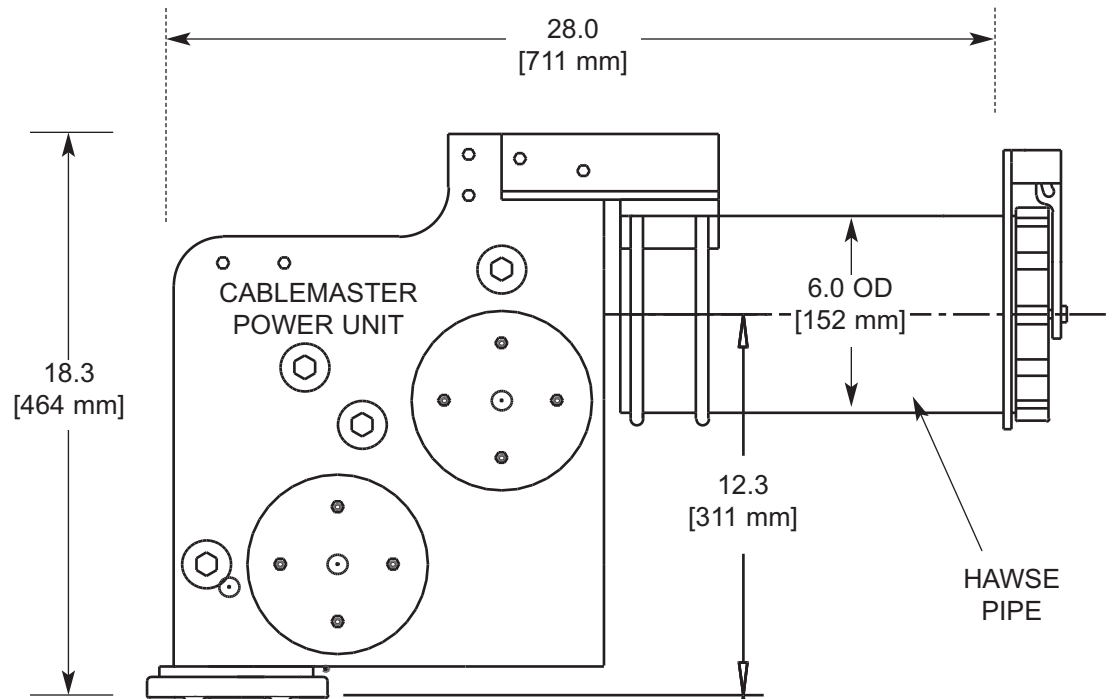
Weight:Power Unit = 40 lbs
 Hawse Pipe = 12 lb

Max.Cable size: . . .1-5/8" (42mm) Dia.
 (#2 gage 3, 4, or 5
 conductor)

Length capacity: .Determined by size
 of storage location

Material:6061 Aluminum

Finish:*Cablemaster*—
 Yellow Anodize
Hawse Pipe—
 Clear Anodize



NOTE: Cable storage dimensions are flexible (as long as the minimum dimensions are maintained) and unique to each installation. Contact the factory for cable storage area requirements for your installation.