



# CABLEMASTER™

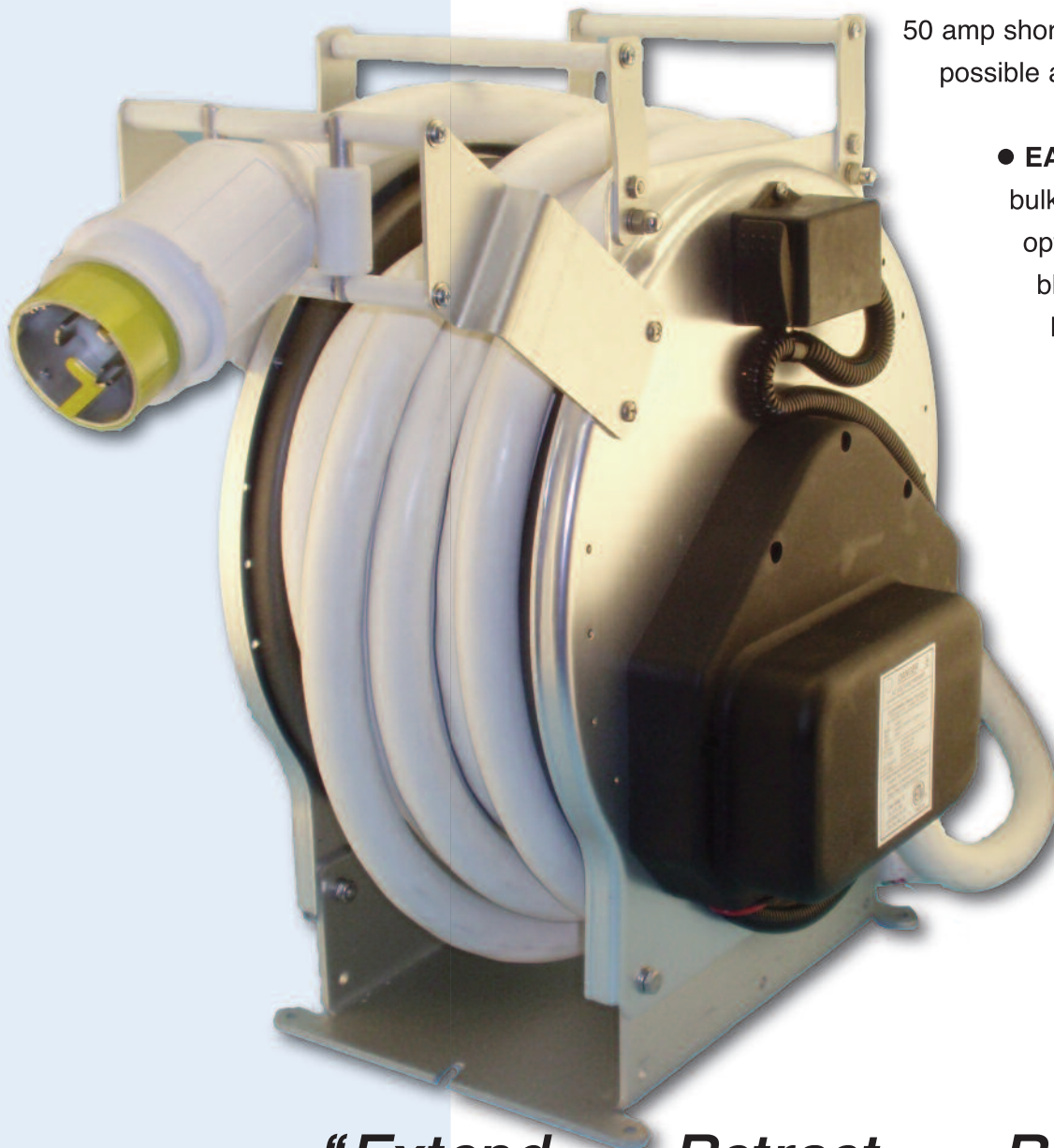
## Model CRM-50

- **EASY TO USE** — Simply pull out the amount of shore power cable you need to make your connection. Push the button and the cable will retract and store on the reel.
- **“ZERO EFFORT” PULL-OUT FORCE** — Our unique drive motor mechanism (patent pending) disengages itself when the cable is extended. No heavy pulling!

- **COMPACT STORAGE** — Store 50-feet of 50 amp shore power cable in the smallest possible area.

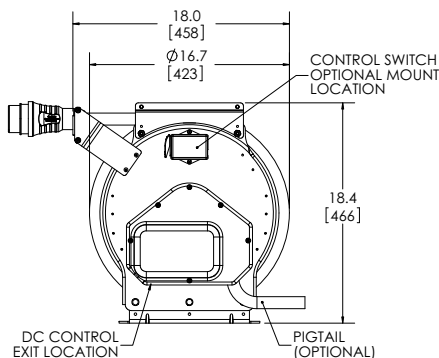
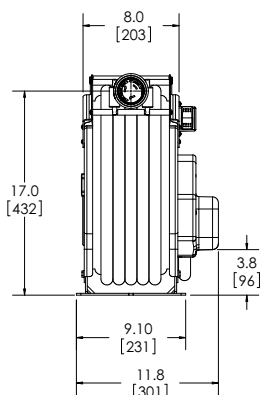
- **EASY TO INSTALL** — Deck, bulkhead or overhead mounting options. Adjustable roller assembly allows for various cable exit locations.

- **MARINE GRADE DESIGN** — The Cablemaster™ product line is specifically designed for the marine environment — built to last!



***“Extend . . . Retract . . . Relax!”***

# CABLEMASTER™ — MODEL CRM-50 SPECIFICATIONS



**VOLTAGE:**.....12 or 24 VDC  
**OPERATING CURRENT:**.....5-7 amps nominal  
 15 amp peak load  
**CABLE SIZE:**.....50amp  
**CABLE SPECIFICATION:**...#6AWG / 4 conductor  
 white jacket 105°C rating  
 includes molded plug  
**CABLE LENGTH:** .....50 feet  
**WEIGHT:** .....62 lbs.  
 (including 50 ft. of  
 6/4 shore power cable)  
**CERTIFICATIONS:**.....tested to comply  
 with UL standard 355  
 tested for ignition protection  
 meets all CE requirements

Part No.	Description	Length
CRM50-12-01W	Cablemaster™ — Model CRM-50 - incl. 50 feet of 50 amp shore power cable (6/4 - 125/250 VAC), with white jacket, and molded 50 amp plug	50 feet
CRM50-12-02W	Cablemaster™ — Model CRM-50 - incl. 50 feet of 50 amp shore power cable (6/3 - 250 VAC), with white jacket, and molded 50 amp plug - for use with isolation transformer	50 feet
CRM50-12-03W	Cablemaster™ — Model CRM-50 - incl. 50 feet of 50 amp shore power cable (6/3 - 125 VAC), with white jacket, and molded 50 amp plug	50 feet

*NOTE: Other cable types are available.*

## OPTIONAL FEATURES / ACCESSORIES:

- **Integrated 50amp circuit breaker** — provides protection from damage in the event of overload or a short circuit. Conveniently located on the side of the unit with easy, visual indication that the breaker has been tripped.
- **High temperature shut off sensor** — responds automatically when temperatures fall outside the safe, operating temperatures of the unit.
- **Pre-wired boat wire for connection between cord reel and AC distribution panel** — this option provides a length of boat wire that is pre-terminated to the cord reel, which can then be used for connecting to the A/C distribution panel.
- **Hawse Pipe for cord exit** — provides a watertight exit for the power cord through the bulkhead. Various styles and types are available from plastic to stainless steel.



*Optional Stainless Steel Hawse Pipe*



For more information, contact our sales engineer or your local dealer today!

740 Century Circle  
 Conway, SC 29526

Phone: (843) 399-6146  
 Fax: (843) 399-5005



MADE IN THE USA

[www.glendinningprods.com](http://www.glendinningprods.com)  
 SML-CRM50-BROC\_v2.0