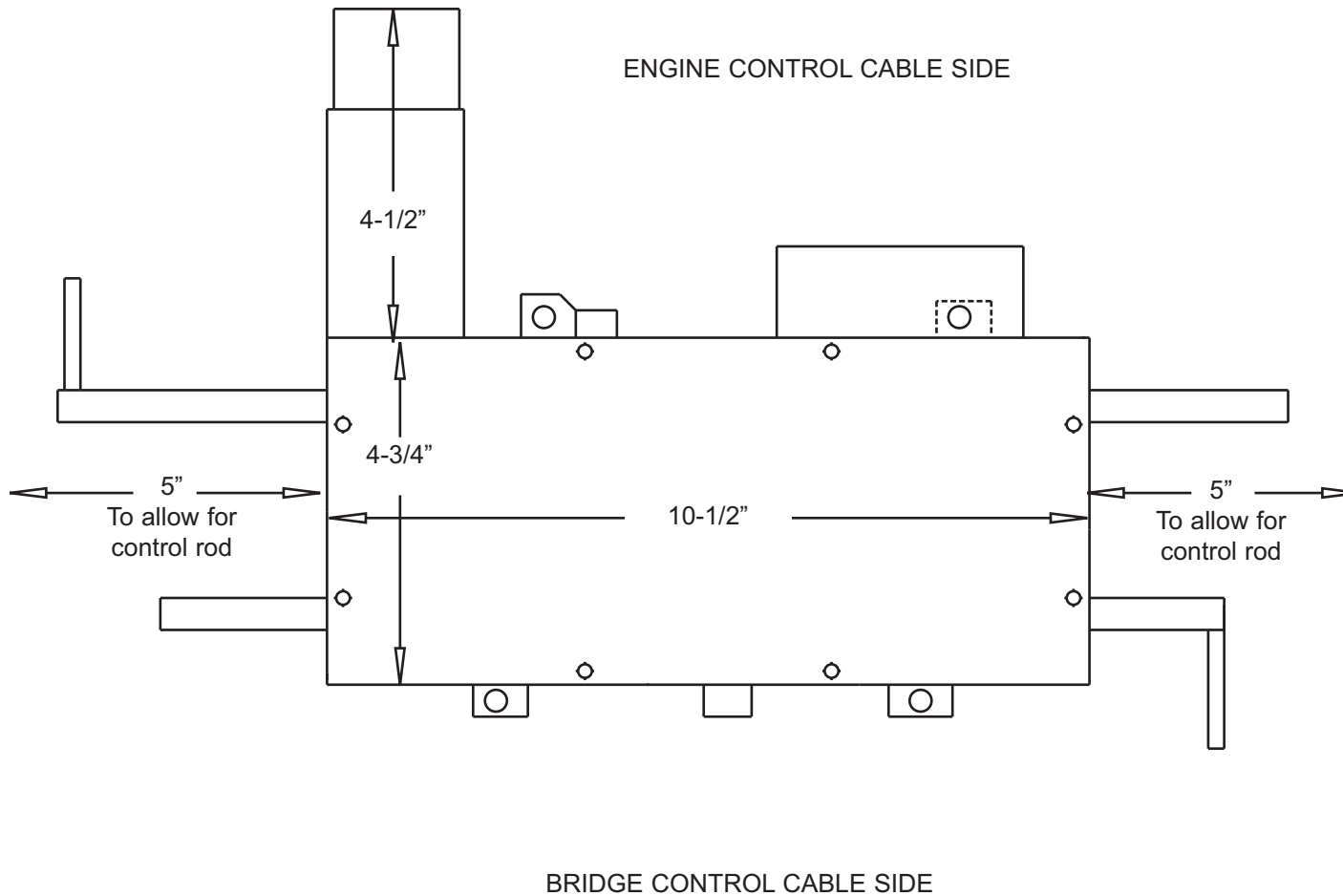


SYNCHRONIZER DIMENSIONS



GLENDDINNING
MARINE PRODUCTS, INC.

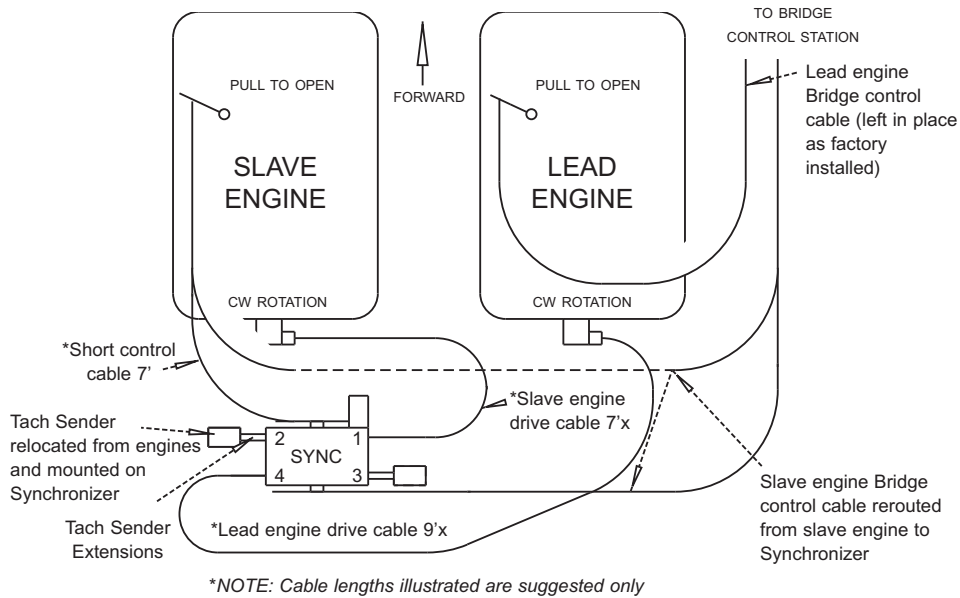
740 Century Circle
Conway, SC 29526

P: 843-399-6146
F: 843-399-5005

www.glendinningprods.com
SYNCD-09/04

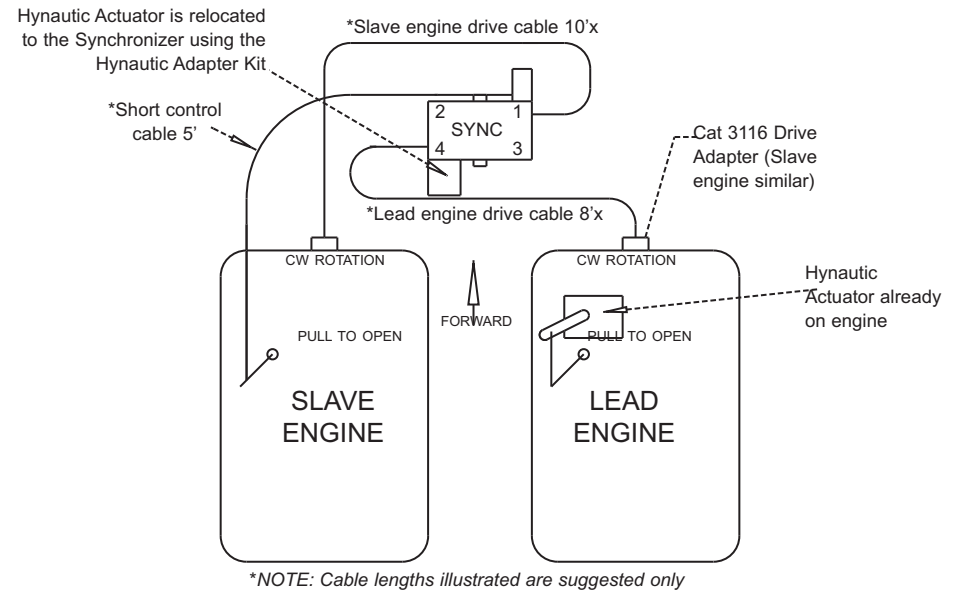
INSTALLATION ON DETROIT DIESEL ENGINES

Based on engine governor PULL to OPEN and engine Take-off outputs CLOCKWISE



INSTALLATION ON 3116 CATERPILLAR ENGINES

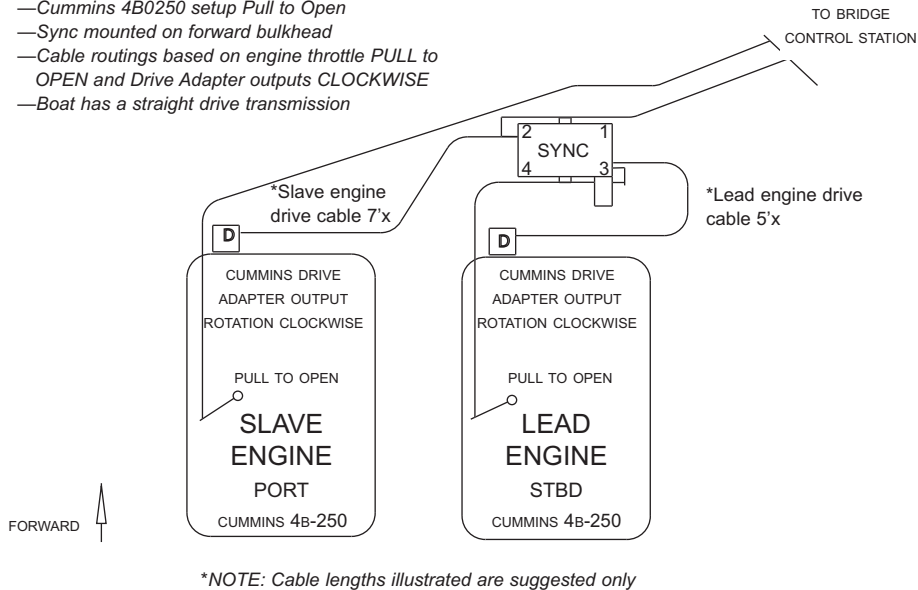
Based on engine governor PULL to OPEN and Hynautic Hydraulic Controls



INSTALLATION ON PURSUIT 300 EXPRESS

NOTE:

- Cummins 4B0250 setup Pull to Open
- Sync mounted on forward bulkhead
- Cable routings based on engine throttle PULL to OPEN and Drive Adapter outputs CLOCKWISE
- Boat has a straight drive transmission



INSTALLATION ON SEA RAY 400 DA

Based on engine governor PULL to OPEN and Drive Adapter outputs CLOCKWISE and Counter-CLOCKWISE. Boat has a V-drive transmission

