



CABLEMASTER

Model CRR-50™

Retract and store your power cord with ease!

- **EASY TO USE** — Simply pull out the amount of power cord you need to make your connection. Push the button and the Cablemaster™ will quietly retract and store the power cord on the reel.

- **“ZERO EFFORT” PULL-OUT FORCE** — Our unique drive motor mechanism (patent pending) disengages itself when the cable is extended. No heavy pulling!

- **COMPACT STORAGE** — Store 36-feet of 50 amp power cord in the smallest possible area.

- **“EASY-OUT” PLUG** — Our molded power plug comes with an integrated handle which allows you to easily disconnect the power cord from the campsite receptacle.

- **LED POWER INDICATOR** — Conveniently located on plug, let's you know that power is available to the cord.

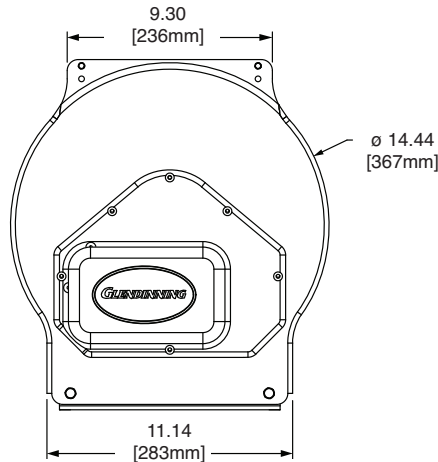
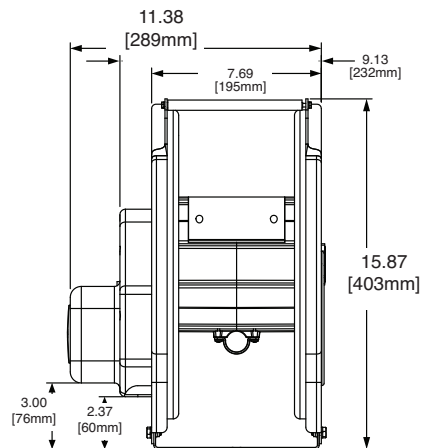
- **ROBUST DESIGN** — The Cablemaster™ product line is specifically designed to last!

- **FULLY TESTED AND APPROVED** — UL, CSA



“Extend . . . Retract . . . Relax!”

CABLEMASTER™ — MODEL CRR-50 SPECIFICATIONS



VOLTAGE:.....12 VDC
 OPERATING CURRENT:.....5-7 amps nominal
 15 amp peak load
 CABLE SIZE:.....50amp
 CABLE SPECIFICATION:6/3 & 8/1
 SOW 90°C rating
 includes molded plug with
 LED power indicator &
 safety disconnect handle
 CABLE LENGTH:36 feet
 WEIGHT:48 lbs.
 (including 36 ft. of
 6/4 power cable)
 CERTIFICATIONS:tested to comply
 with UL standard 355
 tested for ignition protection

Part No.	Description	Cord Length
04380-xx	Cablemaster™ — Model CRR-50 - incl. control switch (3 foot wire length)	36 feet

Each CRR-50 Cablemaster™ includes our unique “Easy-Out” plug.



Power LED will illuminate when power cord is plugged in and power is available

Pull out as much power cord as you need to reach the receptacle



When ready to depart, lift up on handle and pull plug from receptacle



OPTIONAL FEATURES / ACCESSORIES:

- **High temperature shut off sensor** — responds automatically when temperatures fall outside the safe, operating temperatures of the unit.
- **Pre-wired power cord for connection between cord reel and AC distribution panel** — this option provides a length of power cord that is pre-terminated to the cord reel, which can then be used for connecting to the A/C power transfer switch.



For more information, contact our sales engineer or your local dealer today!

740 Century Circle
 Conway, SC 29526

Phone: (843) 399-6146
 Fax: (843) 399-5005



MADE IN
 THE USA

www.glendinningprods.com
 SML-CRR50-BROC v1.0